

**New!** SUSPENDED FIXTURE FUNDAMENTALS

All LEDs binned to within 3 MacAdam ellipses.

LENSING	Frosted Acrylic
FINISH	Silver, Black, Bronze or White Powder Coat, Custom Finishes on Request
LENGTHS	24" [609.6mm] up to 120" [3048mm]; See Length & Wattage Table for All Standard Length Options
ELECTRICAL	<b>Driver Type:</b> Integral Canopy Driver or Remote Driver; Constant Voltage, Class 2 UL Recognized <b>Input Voltage:</b> 120 - 240v 50/60hz <b>Dimming:</b> w/ Canopy Driver: ELV w/ Remote Driver: 0-10v, DALI, DMX, ELV <b>Operating Ambient Temperature:</b> -22° to 104° F [-30° to 40° C] <b>Humidity:</b> 90% RH Non-Condensing
LIFE & WARRANTY	50,000 HR Lifetime ( $T_a = -25^{\circ}\text{C}$ to $35^{\circ}\text{C}$ ; $T_c$ max $75^{\circ}\text{C}$ ); 5 Year Limited Warranty
MOUNTING	Suitable for Drywall Ceiling, Wood Ceiling or T-Bar Ceiling <b>For SS1, SS2 &amp; SR3:</b> Rincon® Powered Suspension System; 120" [3048mm] Standard Length <b>For SR2:</b> 0.062" Diameter Aircraft Cable in 120" Standard Length (Contact Factory for longer lengths)
LISTINGS & TESTS	cULus (UL 1598 & 2108); CE RoHS Compliant (if specified); LM79, LM80 ; IP20; Title 24 JA8-2016 <sup>1</sup> The EU's Restriction of Hazardous Substances Directive (RoHS) restricts the use of six hazardous substances* in electrical and electronic equipment (* Lead (Pb), Mercury, Cadmium, Hexavalent chromium, Polybrominated biphenyls and Polybrominated diphenyl ether (PBDE)). <sup>1</sup> Please contact factory for current list of JA8-2016 products.



**Suspended Linear Fixtures**, featuring four extrusion shapes and sizes. The **SS1** and **SR2** fixtures provide direct (down) illumination only, **SS2** and **SR3** fixtures can be specified to include both **direct** output along with **indirect ceiling wash**. All LED options are Pitchless LED Boards to insure full diffusion of diodes. LED options include Nichia LEDs in choice of 3 Hi CRI or Tunable White LED Boards.

Available in standard lengths from 24" [609.6mm] to 120" [3048mm] (contact factory for fixtures shorter than 24", custom lengths, or continuous runs).

SS1, SS2 and SR3 are powered via Rincon® Powered Suspension System, suspended from Rectangular Canopy Boxes with integral driver, or via remote driver. SR2 fixtures are suspended via aircraft cable and powered through jacketed wire and remote driver.

Multiple finish options; canopy boxes with integral drivers in standard White finish or optional Chrome; 5" canopies in standard White finish only.

VLT reserves the right to change specifications without notice. Please visit [www.vltdcorp.com](http://www.vltdcorp.com) for current cut sheets.

FIXTURE SUSPENSION & POWER OPTIONS

SS1, SS2 and SR3 Fixtures are suspended and powered with **Rincon® Powered Suspension System**; SR2 Suspended Fixture powered via **Decorative Jacketed Wire** (White, Black, Grey or Custom color).



Powered Suspension System (SS1, SS2 & SR3)



Jacketed Wire Power Feed with Aircraft Cable (SR2 Only)

MADE IN USA

FIXTURE MOUNTING OPTIONS

Suspended Fixtures can be mounted from T-Bar, Dry Wall or Wood surfaces. A variety of accessory mounting kits are available for use with these surfaces; contact factory to determine the best options for your fixture and mounting surface.

## PITCHLESS HI CRI LED BOARDS 95+/ DUAL ROW

LED BOARD	3140D	3160D	3180D
LUMEN OUTPUT <sup>1</sup>	342 lm/ft [1122 lm/m]	670 lm/ft [2198 lm/m]	1075 lm/ft [3526 lm/m]
POWER CONSUMPTION	4.4 w/ft [14.4 w/m]	8.6 w/ft [28.2 w/m]	13.8 w/ft [45.2 w/m]
CRI	95+	95+	95+
CCT OPTIONS	2000K 2200K 4000K	2500K 2700K 4500K	3000K 3500K 5000K
APPLIED LED	Nichia 757g	Nichia 757g	Nichia 757g
LED EFFICACY <sup>1</sup>	151 lm/w	151 lm/w	151 lm/w

<sup>1</sup> Based on 3500K CCT with Lens

## PITCHLESS HI CRI LED BOARDS 95+/ SINGLE ROW

LED BOARD	3140	3160	3180
LUMEN OUTPUT <sup>1</sup>	230 lm/ft [754 lm/m]	443 lm/ft [1453 lm/m]	712 lm/ft [2335 lm/m]
POWER CONSUMPTION	2.2 w/ft [7.2 w/m]	4.3 w/ft [14.1 w/m]	6.9 w/ft [22.6 w/m]
CRI	95+	95+	95+
CCT OPTIONS	2000K 2200K 4000K	2500K 2700K 4500K	3000K 3500K 5000K
APPLIED LED	Nichia 757g	Nichia 757g	Nichia 757g
LED EFFICACY <sup>1</sup>	151 lm/w	151 lm/w	151 lm/w

## PITCHLESS TUNABLE WHITE

LED BOARD	7180D	7180
LUMEN OUTPUT <sup>2</sup>	1086 lm/ft [3562 lm/m]	715 lm/ft [2345 lm/m]
POWER CONSUMPTION	13.8 w/ft [45.2 w/m]	6.9 w/ft [22.6 w/m]
CRI	95+	95+
CCT OPTIONS	2000K/3000K 2500K/4000K	3000K/4000K 3500K/4500K
APPLIED LED	Nichia 757g	Nichia 757g
LED EFFICACY <sup>2</sup>	151 lm/ft	151 lm/w

<sup>2</sup> Based on 3500K/4500K CCT in SS2 with Lens

## LUMENS / FOOTCANDLES TABLE WITH FROSTED ACRYLIC LENS

	LED Board	Watts per Foot	Lumens per Foot	Footcandles at 12"
Pitchless Hi CRI LED Boards Dual Row	3140D	4.4 w/ft	342 lm/ft	TBD
	3160D	8.6 w/ft	670 lm/ft	TBD
	3180D	13.8 w/ft	1075 lm/ft	TBD
Tunable White Dual Row	7180D	13.8 w/ft	1086 lm/ft	TBD
Tunable White Single Row	7180	6.9 w/ft	715 lm/ft	TBD

(TBD: New fixture data not available at time of printing. Please check website at [www.vltd.com](http://www.vltd.com) for updates.)

**Pitchless:** "Pitch" is the spacing between LEDs on a circuit board; a "pitchless" board has no spacing between the LEDs, creating a bright board that fully diffuses the "dot" pattern of LED diodes in a short distance between board and lens. Pitchless LED boards fully diffuse when used in any **EssentialLEDs Suspended** fixture.

**Hi CRI LED** boards feature 757g LEDs with CRI of 95 or higher. Compliance with California's Title 24 JA8-2016 standard requires that new and remodel residential lighting applications must have a CRI of 90 or above and a Kelvin temperature (CCT) between 2700K and 4000K.

Tunable White LED Boards include discrete control of two different CCT's, allowing designers the ability to dial in to the perfect CCT, or the flexibility of changing CCT to set different scenes.

CCT	2000K	2200K	2500K	2700K	3000K	3500K	4000K	4500K	5000K
LIGHT OUTPUT CONVERSION	0.68	0.74	0.82	0.96	1.0	1.0	1.0	1.01	1.1

SS1 & SR2 FIXTURE LENGTH & WATTAGE

			SS1 Direct Lighting				SR2 Direct Lighting			
	Finished Fixture		3140D 4.4 w/ft	3160D 8.6 w/ft	3180D 13.8 w/ft	7180D 13.8 w/ft	3140 2.2 w/ft	3160 4.3 w/ft	3180 6.9 w/ft	7180 6.9 w/ft
24	23.66"	[601.0mm]	8.8 w	17.2 w	27.6 w	27.6 w <sup>1</sup>	4.4 w	8.6 w	13.8 w	13.8 w <sup>1</sup>
36	35.24"	[895.1mm]	13.2 w	25.8 w	41.4 w	41.4 w <sup>1</sup>	6.6 w	12.9 w	20.7 w	20.7 w <sup>1</sup>
48	46.82"	[1189.2mm]	17.6 w	34.4 w	55.2 w	55.2 w <sup>1</sup>	8.8 w	17.2 w	27.6 w	27.6 w <sup>1</sup>
60	58.40"	[1483.4mm]	22.0 w	43.0 w	69.0 w	69.0 w <sup>1</sup>	11.0 w	21.5 w	34.5 w	34.5 w <sup>1</sup>
72	69.98"	[1777.5mm]	26.4 w	51.6 w	82.8 w	82.8 w <sup>1</sup>	13.2 w	25.8 w	41.4 w	41.4 w <sup>1</sup>
84	81.56"	[2071.6mm]	30.8 w	60.2 w	96.6 w <sup>1</sup>	96.6 w <sup>1</sup>	15.4 w	30.1 w	48.3 w	48.3 w <sup>1</sup>
96	93.14"	[2366.0mm]	35.2 w	68.8 w	110.4 w <sup>1</sup>	110.4 w <sup>1</sup>	17.6 w	34.4 w	55.2 w	55.2 w <sup>1</sup>
108	104.72"	[2660.0mm]	39.6 w	77.4 w	124.2 w <sup>1</sup>	124.2 w <sup>1</sup>				
120	116.30"	[2954.0mm]	44.0 w	86.0 w	138.0 w <sup>1</sup>	138.0 w <sup>1</sup>				

SS2 & SR3 FIXTURE LENGTH & WATTAGE

			Direct Lighting				Indirect Lighting			
	Finished Fixture		3140D 4.4 w/ft	3160D 8.6 w/ft	3180D 13.8 w/ft	7180D 13.8 w/ft	3140 2.2 w/ft	3160 4.3 w/ft	3180 6.9 w/ft	7180 6.9 w/ft
24	23.66"	[601.0mm]	8.8 w	17.2 w	27.6 w	27.6 w <sup>1</sup>	3.7 w	7.2 w	11.5 w	11.5 w <sup>1</sup>
36	35.24"	[895.1mm]	13.2 w	25.8 w	41.4 w	41.4 w <sup>1</sup>	5.9 w	11.5 w	18.4 w	18.4 w <sup>1</sup>
48	46.82"	[1189.2mm]	17.6 w	34.4 w	55.2 w	55.2 w <sup>1</sup>	8.1 w	15.8 w	25.3 w	25.3 w <sup>1</sup>
60	58.40"	[1483.4mm]	22.0 w	43.0 w	69.0 w	69.0 w <sup>1</sup>	10.3 w	20.1 w	32.2 w	32.2 w <sup>1</sup>
72	69.98"	[1777.5mm]	26.4 w	51.6 w	82.8 w	82.8 w <sup>1</sup>	12.5 w	24.4 w	39.1 w	39.1 w <sup>1</sup>
84	81.56"	[2071.6mm]	30.8 w	60.2 w	96.6 w <sup>1</sup>	96.6 w <sup>1</sup>	14.7 w	28.7 w	46.0 w	46.0 w <sup>1</sup>
96	93.14"	[2366.0mm]	35.2 w	68.8 w	110.4 w <sup>1</sup>	110.4 w <sup>1</sup>	16.9 w	33.0 w	52.9 w	52.9 w <sup>1</sup>
108	104.72"	[2660.0mm]	39.6 w	77.4 w	124.2 w <sup>1</sup>	124.2 w <sup>1</sup>	19.1 w	37.3 w	59.8 w	59.8 w <sup>1</sup>
120	116.30"	[2954.0mm]	44.0 w	86.0 w	138.0 w <sup>1,2</sup>	138.0 w <sup>1,2</sup>	21.3 w	41.6 w	66.7 w <sup>2</sup>	66.7 w <sup>1,2</sup>

SS2 & SR3 DIRECT & INDIRECT COMBINED FIXTURE LENGTH & WATTAGE

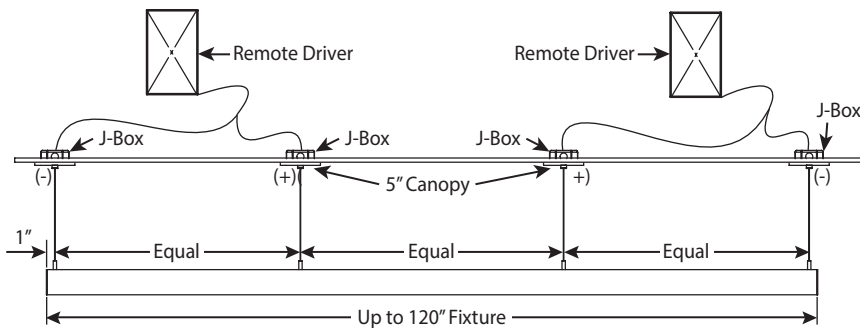
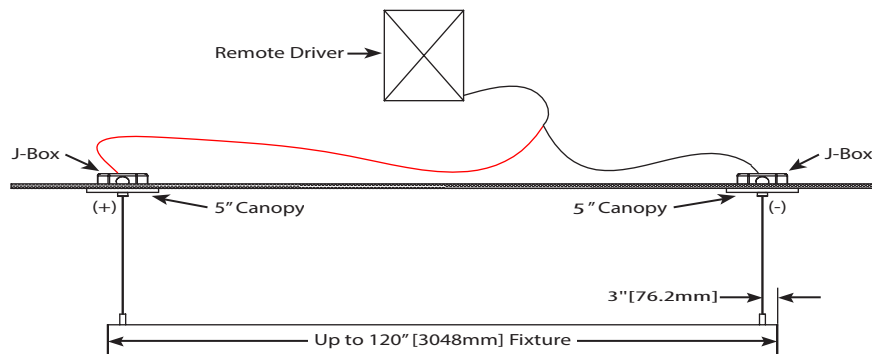
			Combined Wattage			
Code	Finished Fixture		3140	3160	3180	7180
24	23.66"	[601.0mm]	12.5 w	24.4 w	39.1 w	39.1 w <sup>1</sup>
36	35.24"	[895.1mm]	19.1 w	37.3 w	59.8 w	59.8 w <sup>1</sup>
48	46.82"	[1189.2mm]	25.7 w	50.2 w	80.5 w	80.5 w <sup>1</sup>
60	58.40"	[1483.4mm]	32.3 w	63.1 w	101.2 w <sup>1</sup>	101.2 w <sup>1</sup>
72	69.98"	[1777.5mm]	38.9 w	76.0 w	121.9 w <sup>1</sup>	121.9 w <sup>1</sup>
84	81.56"	[2071.6mm]	45.5 w	88.9 w	142.6 w <sup>1</sup>	142.6 w <sup>1</sup>
96	93.14"	[2366.0mm]	52.1 w	101.8 w <sup>1</sup>	163.3 w <sup>1</sup>	163.3 w <sup>1</sup>
108	104.72"	[2660.0mm]	58.7 w	114.7 w <sup>1</sup>	184.0 w <sup>1</sup>	184.0 w <sup>1</sup>
120	116.30"	[2954.0mm]	65.3 w	127.6 w <sup>1</sup>		

<sup>1</sup> Requires RD2, CMD2, EMD2A or EMD2B Driver Options

<sup>2</sup> Direct + Indirect combined wattage exceeds 2 driver maximum with this LED Board

## Remote Driver Mounting Options

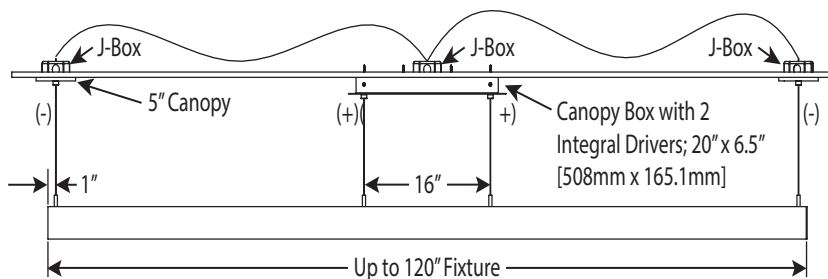
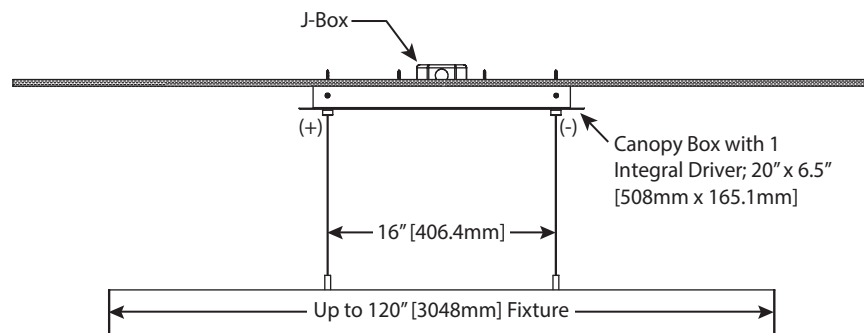
**(RD1)** Includes Two 5" Mounting Canopies in Standard White and Standard 120" [3048mm] Rincon Powered Suspension System Cables.<sup>1</sup> For use with Remote Driver.



**(RD2)** Includes Four 5" Mounting Canopies in Standard White and Standard 120" [3048mm] Rincon Powered Suspension System Cables.<sup>1</sup> For use with Remote Driver.

## Center Mount Canopy Driver Options

**(CMD1)** Fixture Suspended from 20" x 6.5" [508mm x 165.1mm] Canopy Box with Integral 96w Driver in Standard White or Optional Chrome Finish. Includes Standard 120" [3048mm] Rincon Powered Suspension Cables.<sup>1</sup>

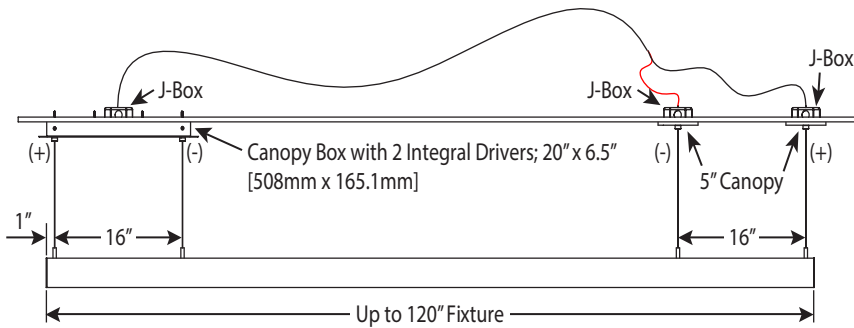
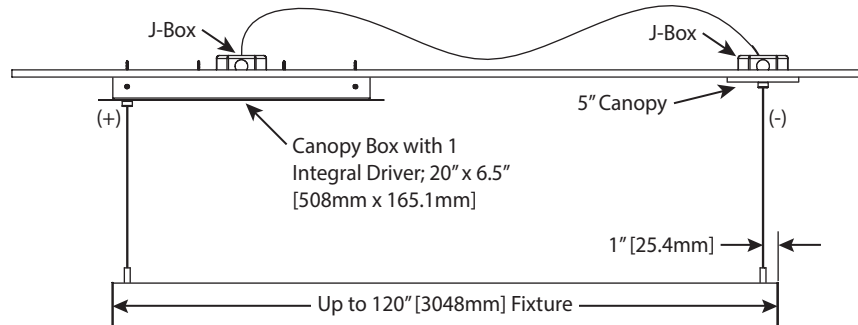


**(CMD2)** Fixture Suspended from 20" x 6.5" [508mm x 165.1mm] Canopy Box with Two Integral 96w Drivers and Two 5" Mounting Canopies. Standard White Finish for all Canopies. Canopy Box available in Optional Chrome Finish. Includes Standard 120" [3048mm] Rincon Powered Suspension Cables.<sup>1</sup>

<sup>1</sup> SR2 Fixture Replaces Rincon System with Non-Powered Suspension Cables and Separate, Jacketed Power Wire.

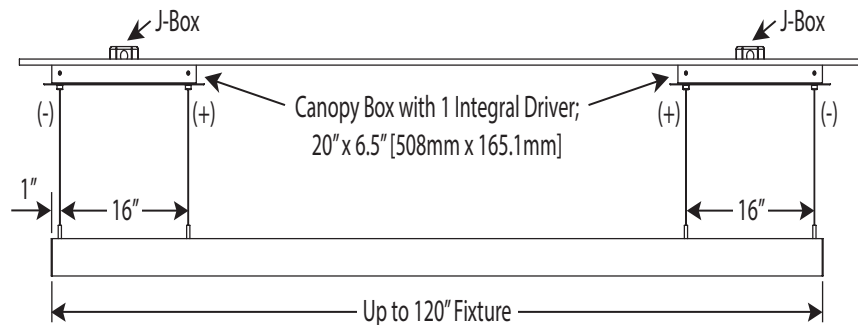
End Mount Canopy Driver Options

**(EMD1)** Fixture Suspended from 20" x 6.5" [508mm x 165.1mm] Canopy Box with Integral 96w Driver and One 5" Mounting Canopy. Standard White Finish for all Canopies. Canopy Box available in Optional Chrome Finish. Includes Standard 120" [3048mm] Rincon Powered Suspension Cables.<sup>1</sup>



**(EMD2A)** Fixture Suspended from 20" x 6.5" [508mm x 165.1mm] Canopy Box with Two Integral 96w Drivers and Two 5" Mounting Canopies. Standard White Finish for all Canopies. Canopy Box available in Optional Chrome Finish. Includes Standard 120" [3048mm] Rincon Powered Suspension Cables.<sup>1</sup>

**(EMD2B)** Fixture Suspended from Two 20" x 6.5" [508mm x 165.1mm] Canopy Boxes, each with Integral 96w Driver in Standard White or Optional Chrome Finish. Includes Standard 120" [3048mm] Rincon Powered Suspension Cables.<sup>1</sup>



<sup>1</sup> SR2 Fixture Replaces Rincon System with Non-Powered Suspension Cables and Separate, Jacketed Power Wire.