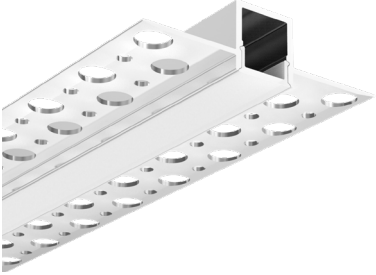
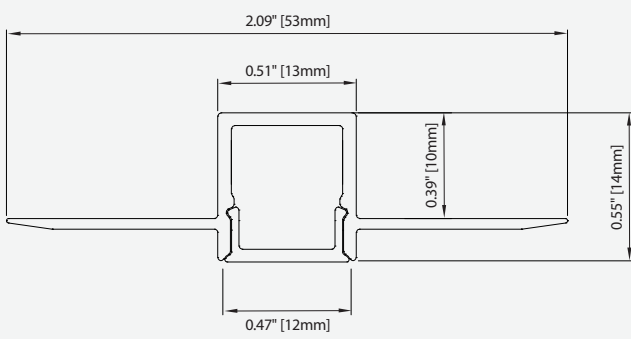
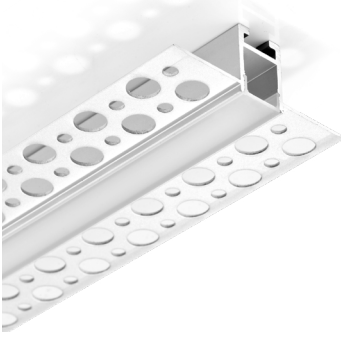
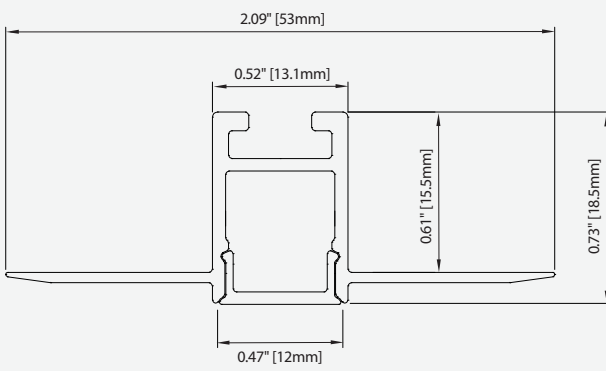
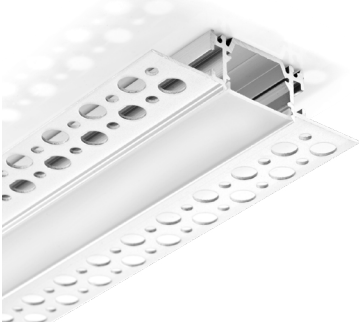
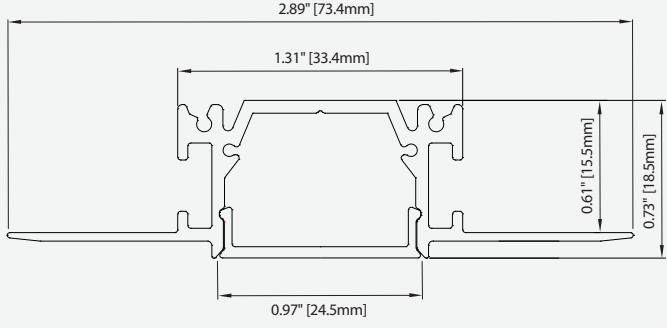


## DRYWALL LED MOUNTING PROFILES

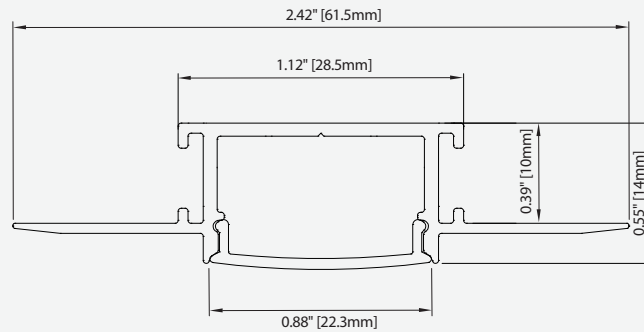
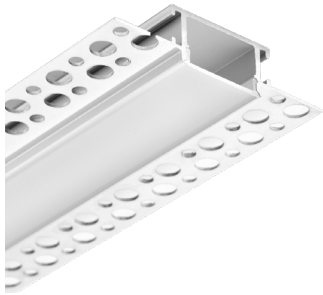
**New!** IP20 | These DIY Drywall LED aluminum profiles can be plastered in drywall and used for recessed linear lighting to create architectural designs. Profiles can be joined together with locking plates to provide a continuous detail to mount LED strips into. Transparent and Opal lens covers/diffusers with surface mounting accessories help to form uniform lighting. Profile is made with high-grade aluminum AL6063-T5 and anodized finishes. Different types of profiles can be combined with LED strip lights to create infinite architectural and interior lighting solutions. These profiles can be in recessed linear lighting, lighting between tiles, corner and wall mounted lighting etc. Customization is also an option by cutting LED strip lights into various lengths and installing them in these drywall profiles to create infinite lighting solutions. Glare free illumination without visible LED diodes. Suitable for dry or damp locations. Profiles can be cut in the field to various lengths and shapes. LED's are installed after profiles are mounted in the drywall.

DRYWALL PROFILE W68	SPECIFICATIONS	CAT. NO. EFX-W68-12-2M-AL
		<p><b>Description:</b> Recessed LED profile for trimless, mud-in, installation into drywall with a 0.47" [12mm] Lens opening. Profile and lens sold in 6.6ft lengths [2 meters]. Needs a minimum of 0.55" [14mm] to recess fully into wall. Field cuttable and configurable into any length or pattern. Silver anodized finish. Accepts a single 10mm wide semi-pitchless LED board (1435, 2435, 3435, 4435 or Dim-to-Warm 7435 strip) sold separately. Requires a Starter Section, End Section and joiner plate, sold separately.</p>
		<p><b>Description:</b> Recessed LED profile for trimless, mud-in, installation into drywall with 0.47" [12mm] Lens opening. Profile and lens sold in 6.6ft lengths [2 meters]. Needs a minimum of 0.73" [18.5mm] to recess fully into wall. Field cuttable and configurable into any length or pattern. Silver anodized finish. Accepts a single 10mm wide semi-pitchless LED board (1435, 2435, 3435, 4435 or Dim-to-Warm 7435 strip) sold separately. Requires a Starter Section, End Section and joiner plate, sold separately.</p>
		<p><b>Description:</b> Recessed LED profile for trimless, mud-in, installation into drywall with a 0.97" [24.5mm] Lens opening. Profile and lens sold in 6.6ft lengths [2 meters]. Needs a minimum of 0.73" [18.5mm] to recess fully into wall. Field cuttable and configurable into any length or pattern. Silver anodized finish. Accepts two 10mm wide semi-pitchless LED board, side by side (1435, 2435, 3435, 4435 or Dim-to-Warm 7435 strip) sold separately. Requires a Starter Section, End Section and joiner plate, sold separately.</p>

DRYWALL PROFILE W71

SPECIFICATIONS

CAT. NO. EFX-W71-22-2M-AL

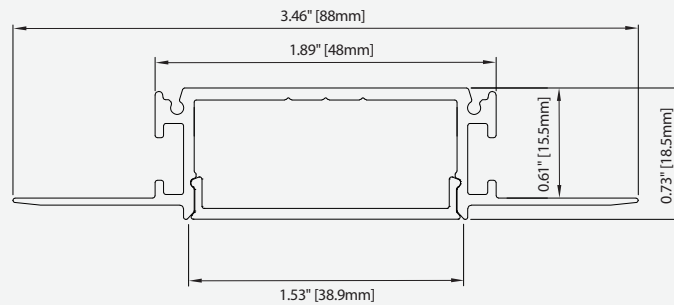
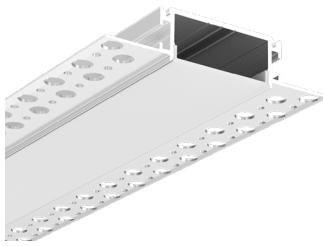


**Description:** Recessed LED profile for trimless, mud-in, installation into drywall with a 0.88" [22.3mm] Lens opening. Profile and lens sold in 6.6ft lengths [2 meters]. Needs a minimum of 0.55" [14mm] to recess fully into wall. Field cuttable and configurable into any length or pattern. Silver anodized finish. Accepts two 10mm wide semi-pitchless LED board, side by side (1435, 2435, 3435, 4435 or Dim-to-Warm 7435 strip) sold separately. Requires a Starter Section, End Section and joiner plate, sold separately.

DRYWALL PROFILE W81

SPECIFICATIONS

CAT. NO. EFX-W81-38-2M-AL

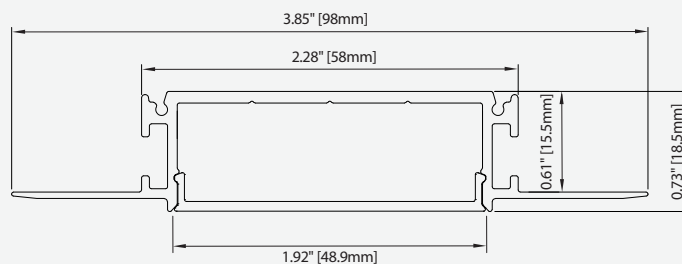
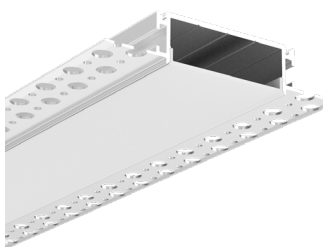


**Description:** Recessed LED profile for trimless, mud-in, installation into drywall with a 1.53" [38.9mm] Lens opening. Profile and lens sold in 6.6ft lengths [2 meters]. Needs a minimum of 0.73" [18.5mm] to recess fully into wall. Field cuttable and configurable into any length or pattern. Silver anodized finish. Accepts up to three 10mm wide semi-pitchless LED board, side by side (1435, 2435, 3435, 4435 or Dim-to-Warm 7435 strip) sold separately. Requires a Starter Section, End Section and joiner plate, sold separately.

DRYWALL PROFILE W83

SPECIFICATIONS

CAT. NO. EFX-W83-48-2M-AL

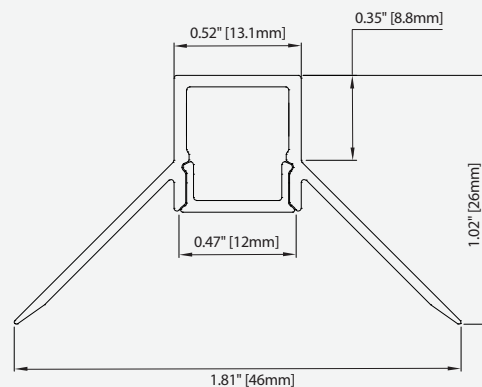
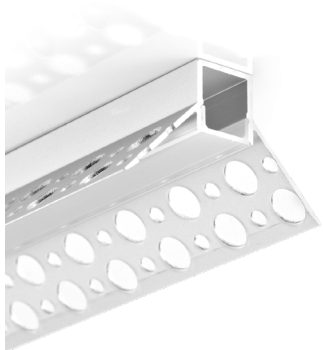


**Description:** Recessed LED profile for trimless, mud-in, installation into drywall with a 1.92" [48.9mm] Lens opening. Profile and lens sold in 6.6ft lengths [2 meters]. Needs a minimum of 0.73" [18.5] to recess fully into wall. Field cuttable and configurable into any length or pattern. Silver anodized finish. Accepts up to four 10mm wide semi-pitchless LED board, side by side (1435, 2435, 3435, 4435 or Dim-to-Warm 7435 strip) sold separately. Requires a Starter Section, End Section and joiner plate, sold separately.

DRYWALL PROFILE W69

SPECIFICATIONS

CAT. NO. EFX-W69-12-2M-AL

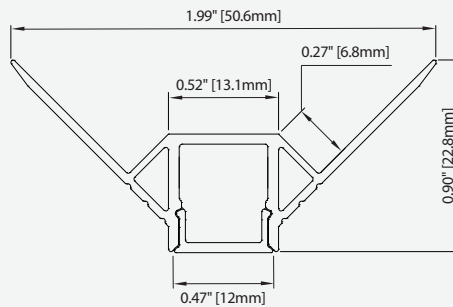


**Description:** Recessed LED profile for trimless, mud-in, installation into drywall with a 0.47" [12mm] Lens opening. Profile and lens sold in 6.6ft lengths [2 meters]. Needs a minimum of 1.02" [26mm] to recess fully into wall. Field cuttable and configurable into any length or pattern. Silver anodized finish. Accepts up to three 10mm wide semi-pitchless LED board, side by side (1435, 2435, 3435, 4435 or Dim-to-Warm 7435 strip) sold separately. Requires a Starter Section, End Section and joiner plate, sold separately.

### DRYWALL PROFILE W70

### SPECIFICATIONS

CAT. NO. EFX-W70-12-2M-AL

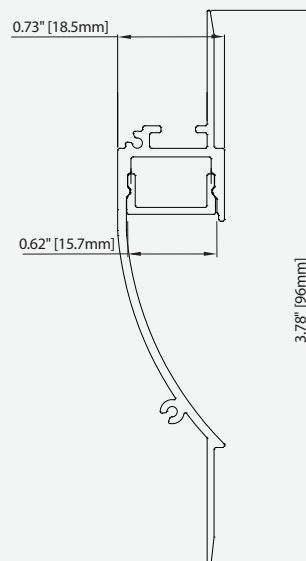


**Description:** Recessed LED profile for trimless, mud-in, installation into drywall with a 0.47" [12mm] Lens opening. Profile and lens sold in 6.6ft lengths [2 meters]. Needs a minimum of 0.73" [18.5] to recess fully into wall. Field cuttable and configurable into any length or pattern. Silver anodized finish. Accepts up to two 10mm wide semi-pitchless LED board, side by side (1435, 2435, 3435, 4435 or Dim-to-Warm 7435 strip) sold separately. Requires a Starter Section, End Section and joiner plate, sold separately.

### DRYWALL PROFILE W82

### SPECIFICATIONS

CAT. NO. EFX-W82-15-2M-AL

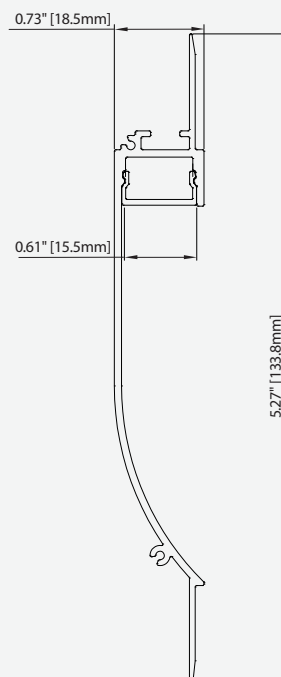
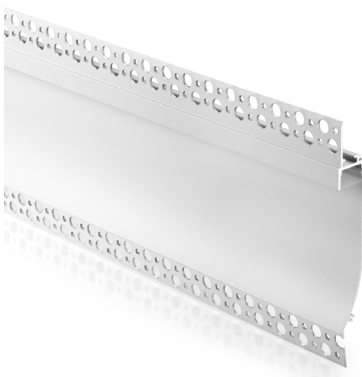


**Description:** Recessed LED profile for trimless, mud-in, installation into drywall with a 0.62" [15.7mm] Lens opening. Profile and lens sold in 6.6ft lengths [2 meters]. Needs a minimum of 0.73" [18.5mm] to recess fully into wall. Field cuttable and configurable into any length or pattern. Silver anodized finish. Accepts one 10mm wide semi-pitchless LED board (1435, 2435, 3435, 4435 or Dim-to-Warm 7435 strip) sold separately. Requires a Starter Section, End Section and joiner plate, sold separately.

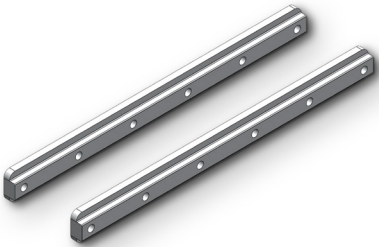
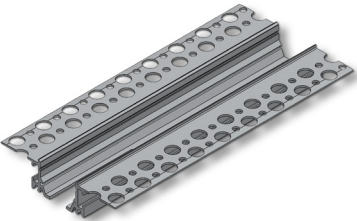
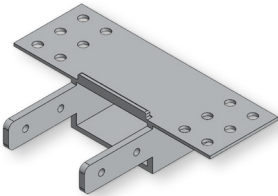
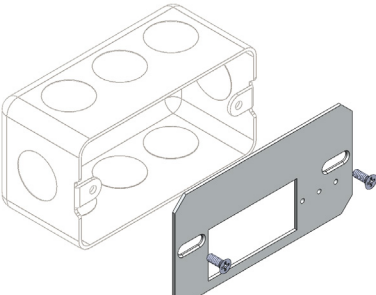
### DRYWALL PROFILE W86

### SPECIFICATIONS

CAT. NO. EFX-W86-15-2M-AL



**Description:** Recessed LED profile for trimless, mud-in, installation into drywall with a 0.61" [15.5mm] Lens opening. Profile and lens sold in 6.6ft lengths [2 meters]. Needs a minimum of 0.73" [18.5mm] to recess fully into wall. Field cuttable and configurable into any length or pattern. Silver anodized finish. Accepts one 10mm wide semi-pitchless LED board (1435, 2435, 3435, 4435 or Dim-to-Warm 7435 strip) sold separately. Requires a Starter Section, End Section and joiner plate, sold separately.

JOINER PLATES	SPECIFICATIONS	CAT. NO. EFX-AC-JP-AL-	
	<p><b>Material:</b> Aluminum <b>Length:</b> 4.0" [100mm]</p>	<p><b>Description:</b> Joiner Plate is used to connect two sections of Drywall Profile to create a seamless long run. Aligns and locks pieces together using set screws.</p> <p>For use with: JP1: W79, W80, W81, W82, W83, W86 JP2: W68, W69 JP3: W70 JP4: W71</p>	<p>JP1 JP2 JP3 JP4</p>
STARTER PROFILE	SPECIFICATIONS	CAT. NO. EFX-AC-SP-AL-	
	<p><b>Material:</b> Aluminum <b>Length:</b> 6.0" [150mm]</p>	<p><b>Description:</b> Starter section of Drywall Profile to make electrical connection to LED tape light. Includes separate end cap to finish into Drywall. Junction Box mounts behind section to make electrical connections. Required one per run.</p>	<p>W68 W79 W80 W71 W81 W83 W69 W70 W82 W86</p>
END PROFILE BOX	SPECIFICATIONS	CAT. NO. EFX-AC-EPB-AL-	
	<p><b>Material:</b> Aluminum <b>Length:</b> 2.0" [50mm]</p>	<p><b>Description:</b> End section for Drywall Profile and provides a "run off" area to hide extra LED tape Light for uniform lighting, edge to edge. Required one per run.</p>	<p>W68 W79 W80 W71 W81 W83 W69 W70 W82 W86</p>
JUNCTION BOX COVER	SPECIFICATIONS	CAT. NO. EFX-AC-JBC-AL-	
		<p><b>Description:</b> Used with Starter Profile to allow for rough-in of electrical wiring before drywall installation.</p> <p>For use with: JBC1: W71, W80, W81, W83 JBC2: W68, W69, W70, W79, W82, W86</p> <p>*6-32 Philips flat head screws included* *Junction Box Not Included. Cover Only*</p>	<p>JBC1 JBC2</p>