

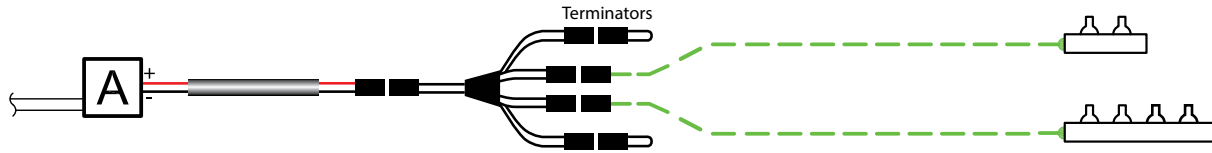


WIRING SCHEMATICS FOR EssentialLEDs® ORB

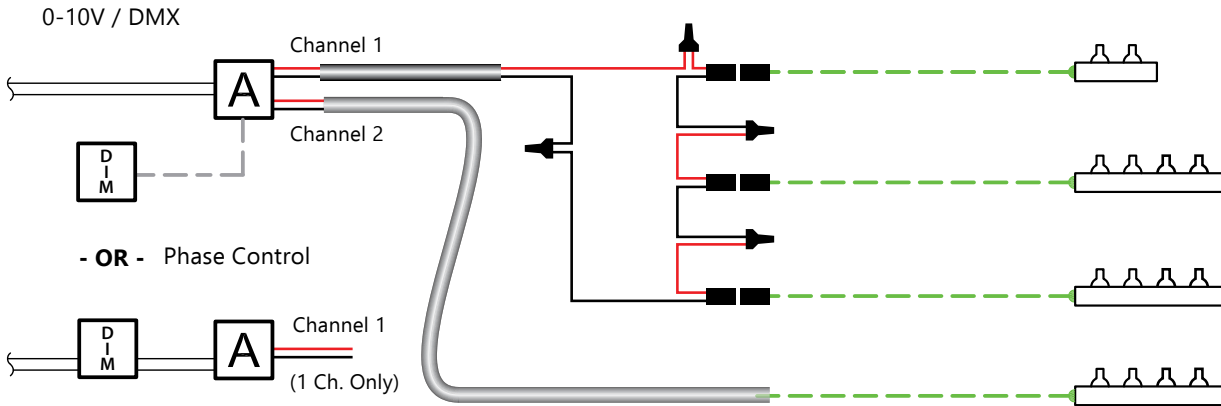
NON-DIM (SHOWN IN SINGLE BRANCH CONFIGURATION)



NON-DIM (SHOWN IN MULTIPLE BRANCH CONFIGURATION USING VLT SPLITTERS AND INTERCONNECT WIRES)



DIMMABLE (SHOWN IN MULTIPLE BRANCH, MULTIPLE CHANNEL CONFIGURATION USING CONTRACTOR-SUPPLIED WIRING AND WIRE NUTS)



	Total # of Orb Heads*
Driver Load	700mA
30w eldoLED	9 per ch, 9 total
50w eldoLED	15 per ch, 18 total
100w eldoLED	16 per ch, 36 total

*Each Head on an EssentialLEDs® Orb Fixture is counted individually

1. Figure for inches of linear fixture per driver was calculated using an 80% load capacity for each wattage driver; drivers can be loaded higher - contact factory for advice. Some drivers require 50% minimum load for proper dimming. 2. Dimming performance will be impacted by type of driver, type of dimming, driver load and dimming control equipment; results will vary based on components used. 3. To determine correct wire gauge for your application, please refer to the voltage drop calculator on the VLT website (see Downloads tab in Drivers & Controls section). **For constant voltage fixtures, VLT recommends a drop of no greater than one volt from driver to fixture.**

SYMBOLS

- Constant Current Driver
- Phase Control, 0-10v, DMX Dimmer
- 2 or 4 way Constant Current Splitter in-series connection
- Wire Nut
- Splitter Connections

WIRING

- Line Voltage Input
- Fixture Lead Wire 24v - (2) 18AWG
- Starter / Interconnect / Splitter
- 0-10V or DMX control wires
- Essential LEDs® Orb Fixture (shown with 2 heads)

