

Features and Options

- Small Profile 0.79"[20mm] x 0.79"[20mm]
- 120V Integral Driver (ELV and MLV Dimming to 1%)
- Field Selectable CCT (3000K, 3500K, 4000K)
- Simple Snap-Together Installation
- Easily Create Curved Configurations
- 90+ CRI, R9 of 90
- 500 lms / ft
- 6W per ft
- Magnetic Mounting Included



Description

Mainline is a high performance small profile cove and display luminaire with an integral driver. This small and discreet luminaire is ideal for under-shelf applications in museums, retail and/ or hospitality. It combines high performance LED technology with user friendly features for quick plug and play line voltage installations.

Body

Surface mounted LED system constructed out of extruded aluminum with diffuse acrylic lens. Available in different lengths with a minimum length of 8.25" and a maximum length of 44".

Mounting / Accessories

Mainline is designed to be concealed within architectural valences for display, cove, and casework applications and provide powerful highlights. Luminaires snap together without tools for continuous row applications of up to 82' or 500 watts total. *Mainline* ships standard with flush mounting brackets. With the use of Inter-Connect power feeds luminaires may be configured into a variety of shapes. IP 20 and UL listed for Dry / Damp Locations. See next page for additional details on accessories.

Light Source

Mainline is outfitted with high efficacy LEDs with superior color performance having high CRI (90+) and R9>90. Built-in selectable Color Temperature (**SCT1**) enables adjustment of the color temperature to 3000K, 3500K, and 4000.

Driver

Constant Current ELV and MLV Dimmable to 1% Integral Driver

Finish

Silver anodized aluminum finish

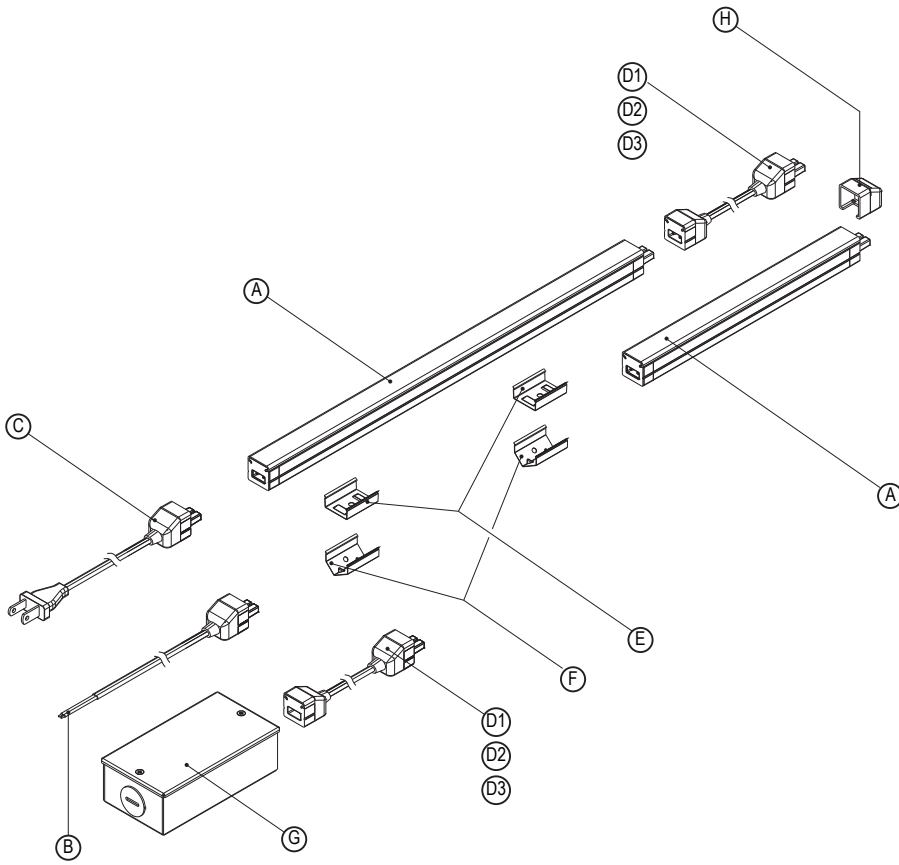
Applications

An ideal solution for display showcase, under-shelf and under cabinet illumination. Application areas: Retail, cabinet displays, showcases, jewelry displays, residential, restaurants, museums.

Ordering Information (Luminaire)

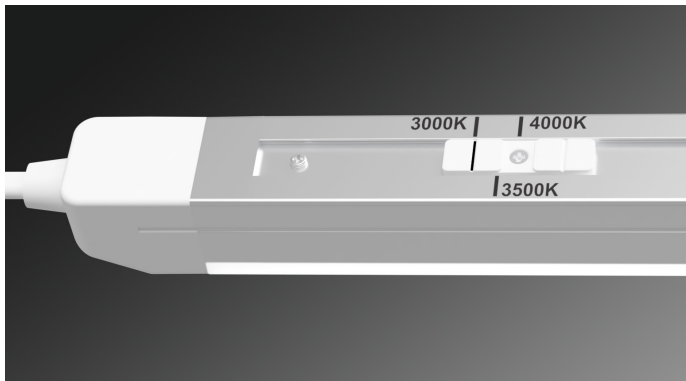
Part Number	Illuminated Length	Overall Length	LED Power	Nominal Lumens	Lumens Per / Ft	Notes
ML-SL21-SCT1-OP3-AL-8-120	8.25" [209mm]	8.79" [223mm]	4.0W	340	500	All fixtures have the same 3 level selectable CCT (SCT1) field selectable to 3000, 3500 and 4000K) and 500 lumen per foot light level. Each fixture may be mounted into individual or continuous rows up to 82' or 500 watts.
ML-SL21-SCT1-OP3-AL-16-120	16.26" [413mm]	16.82" [427mm]	7.0W	680	500	
ML-SL21-SCT1-OP3-AL-24-120	24.31" [617mm]	24.80" [631mm]	11.0W	1010	500	
ML-SL21-SCT1-OP3-AL-30-120	29.56" [750mm]	30.07" [764mm]	13.5W	1230	500	
ML-SL21-SCT1-OP3-AL-37-120	36.88" [936mm]	37.40" [950mm]	16.5W	1530	500	
ML-SL21-SCT1-OP3-AL-44-120	44.19" [1122mm]	44.72" [1136mm]	20.0W	1840	500	

System Components



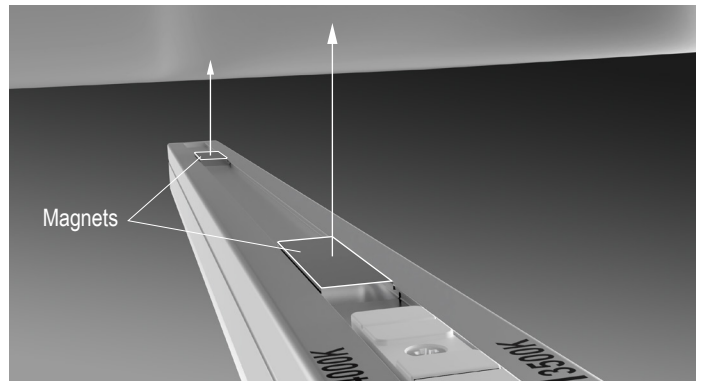
Part Number	Description
A	ML-SL21-S-SCT1-CP3-AL-XX-120 Mainline Luminaire, 6 Lengths
B	ML-SL2-SC-39-WH White Starter Power Feed / J-Box (39")
C	ML-SL2-SCP-59-WH White Starter Power Feed / Plug-In (59")
D1	ML-SL2-ICW-06-WH Inter-Connect Feed (6")
D2	ML-SL2-ICW-12-WH Inter-Connect Feed (11.75")
D3	ML-SL2-ICW-18-WH Inter-Connect Feed (18")
E	ML-SL2-MC Standard Mounting Clip, (1) 2 pc set with each fixture
F	ML-SL2-MC-MC30/45 30° / 45° Mounting Clip (2 pc set)
G	ML-SL2-HPEB Hardwired Power Entry Box
H	ML-SL2-EC Decorative End Cap, 1pc

Additional Features



Field Selectable Color Temperature (SCT1)

The *Mainline 11SL* Series provides field selectable CCT with a switch on the bottom side of the luminaire.



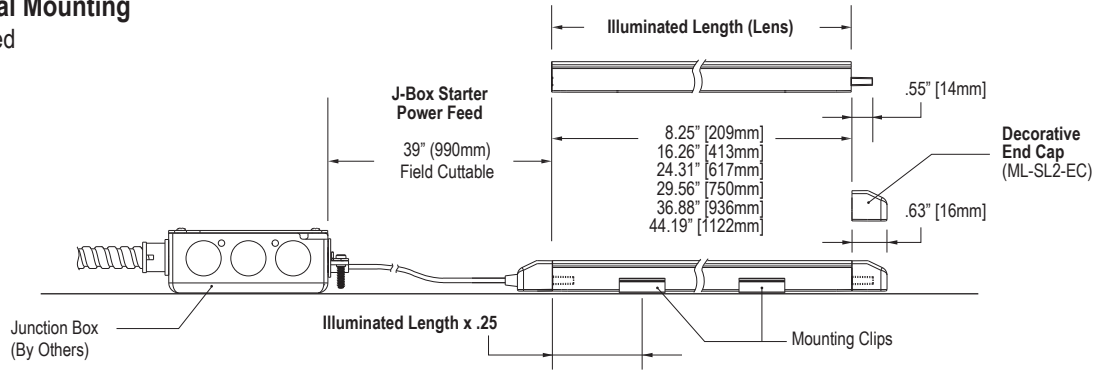
Magnetic Mounting

Quick hardware free installation on ferrous surfaces with integral magnets.

Layout and Dimensions

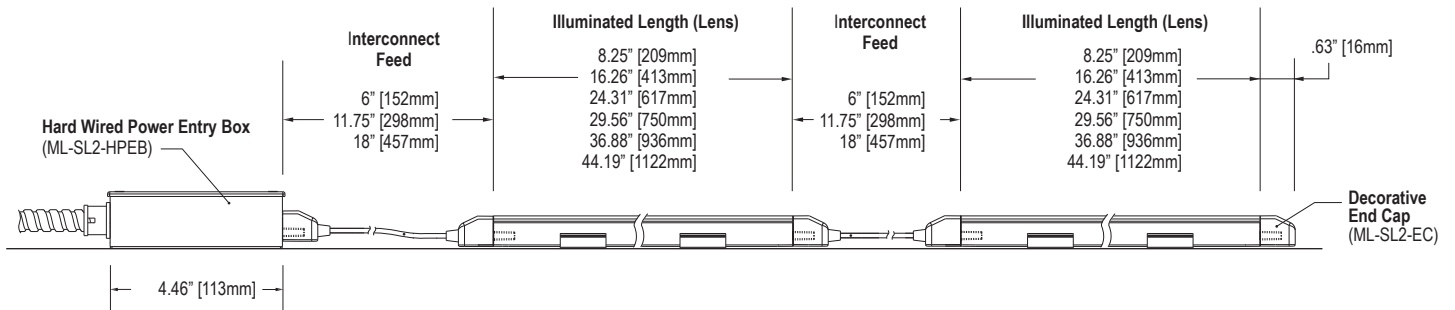
Individual Mounting

J-Box Feed



Interconnect Mounting

Quick Feed J-Box



Continuous Row Mounting

Plug-In Feed

