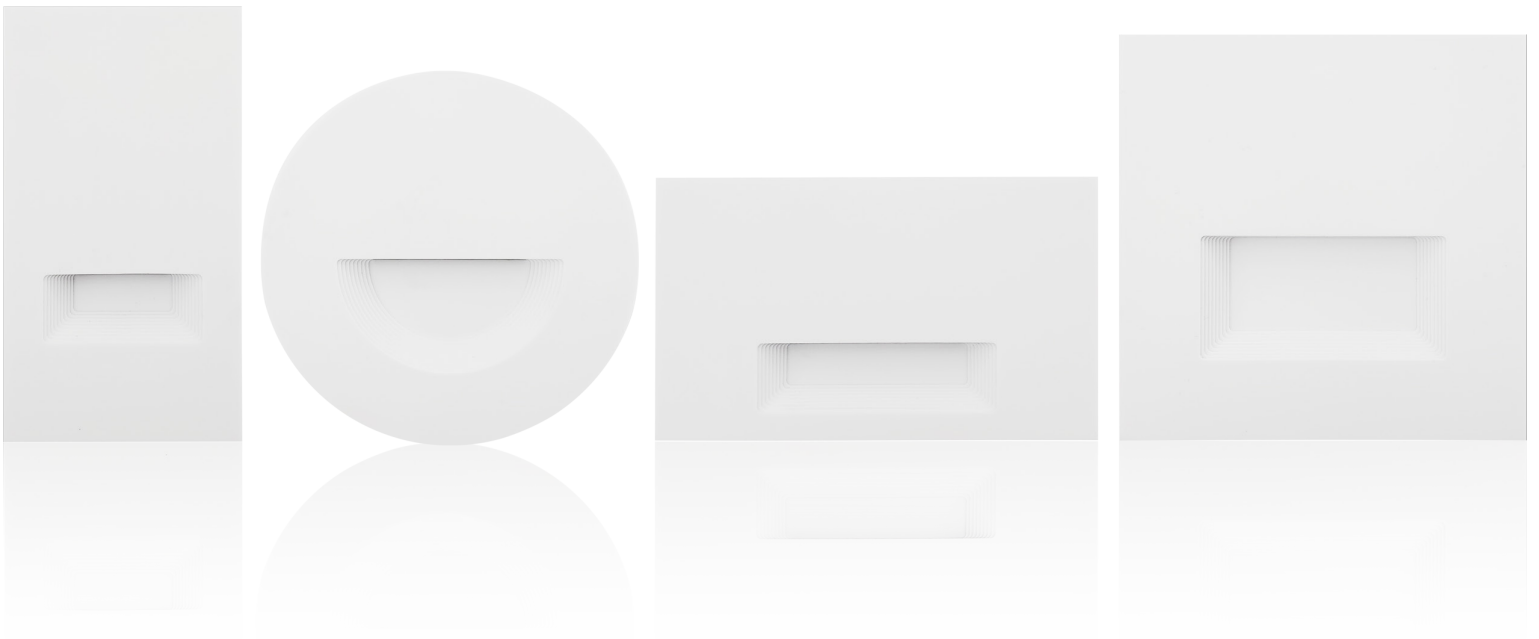




LODSEN

Made of Corian and available in 4 beautiful styles, the Lodsens family offers exceptional indoor step and pathway lighting. With CRI up to 98+ using Nichia Optisolis LEDs.

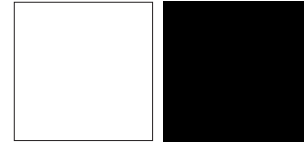


LODSEN

IP20 | Contemporary indoor step lights made of Corian in four styles for use in dry / damp environments. 3 lumen packages provide beautiful light using Nichia Optisolis 98+ CRI LEDs in 2700°K, 3000°K, 3500°K, 4000°K, and 5000°K or Nichia High 95+ CRI 757g LEDs in 2000°K, 2200°K, 2500°K or 4500°K CCTs. All LEDs binned to within 3 MacAdam Ellipses. Step lights mount into standard single-gang junction boxes mounted vertically (LV style) or horizontally (all other styles) and include integral LED drivers. Surface or flushed mounting with optional Rough-In-Kit. Standard Corian colors are Designer White (WH), Deep Nocturne (BL), Bronzite (BZ) and Stratus (GY).

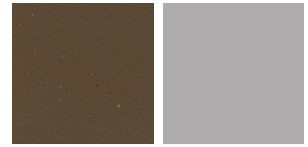


Finish Options



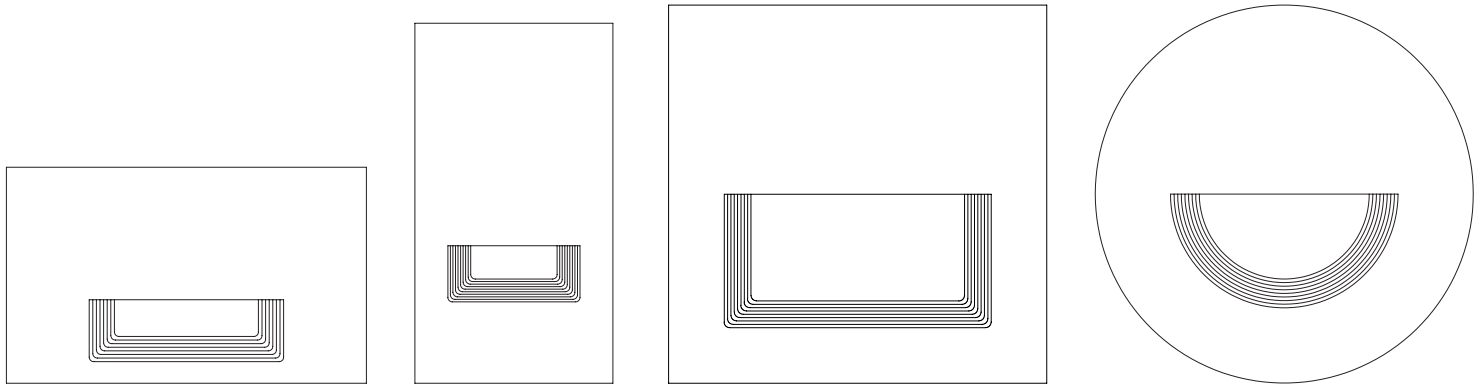
Designer White

Deep Nocturne



Bronzite

Stratus



CODE	LH	LV	LS	LR
------	----	----	----	----

127mm x 76.2mm x 11.4mm
[5.00" x 3.00" x 0.45"]

69.9mm x 127mm x 11.4mm
[2.75" x 5.00" x 0.45"]

133.4mm x 133.4mm x 11.4mm
[5.25" x 5.25" x 0.45"]

133.4mm Ø x 11.4mm
[5.25" Ø x 0.45" Depth]

ELL -



STYLE		LED		CCT		MATERIAL		COLOR		POWER SUPPLY	
LH	Horizontal	5011	100 lm, 1w	20	2000°K	COR	Corian	WH	Designer White	UNV	Non-Dim 120v - 277v
LV	Vertical	5012	160 lm, 2w	22	2200°K	C	Custom	BL	Deep Nocturne		
LS	Square	5010D	100 lm, 1w	25	2500°K			BZ	Bronzite		
LR	Round	5011D	160 lm, 2w	27	2700°K			GY	Stratus		
		5012D	360 lm, 4w	30	3000°K			C	Custom		
				35	3500°K						
				40	4000°K						
				45	4500°K						
				50	5000°K						

¹ Available in LV Style only

² Not Available in LV Style

- 757g 95+ CRI
- Optisolis 98+ CRI

LED Fundamentals					
	LV	LV	LH, LR, LS	LH, LR, LS	LH, LR, LS
LED Board	5011	5012	5010D	5011D	5012D
Lumen Output	100 lm	160 lm	100 lm	160 lm	360 lm
LED Wattage	1w	2w	1w	2w	4w
Total Power Consumption	2.4w	4.3w	2.4w	4.3w	8.1w
Optisolis 98+ CRI CCT Options	2700°K, 3000°K, 3500°K, 4000°K, 5000°K				
Hi CRI 95+ CCT Options	2000°K, 2200°K, 2500°K, 4500°K				
Applied LED	Nichia 757g				
Binning	3 MacAdam Ellipse				
Electrical Data					
Driver Type	Integral				
Voltage	120v-277v				
Power Factor	.95	.95	.95	.95	.95
Frequency	50/60hz				
Operating Ambient Temperature	-22° to 140° F [-30° to 60° C]				

Data Based on 3500°K CCT

IES Files Available @ vltcorp.com

Flush Mount Rough-In-Kit	
Lodsen Horizontal P/N: 301201	 <p>(LS Rough-In-Kit Shown)</p>
Lodsen Vertical P/N: 301202	
Lodsen Square P/N: 301203	
Lodsen Round P/N: 301204	

Type _____

Job _____

Catalog Number:

ELL - _____ - _____ - _____ - _____ - _____ - _____

STYLE

LED

CCT

MATERIAL

COLOR

POWER SUPPLY

SEE PAGE 42

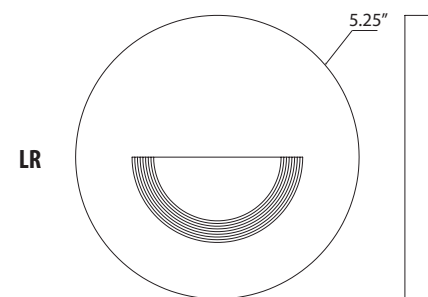
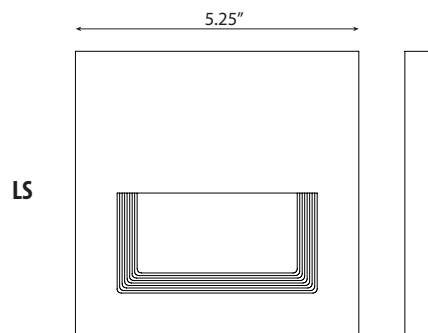
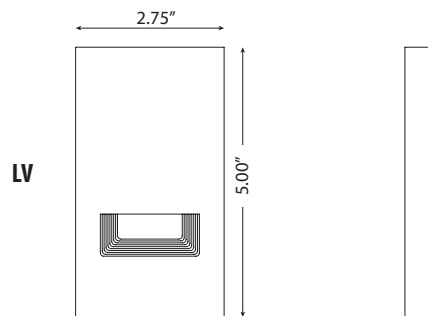
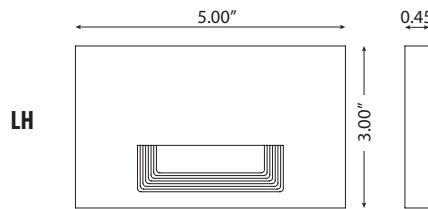
Approvals:

Date:

Page _____ of _____

SPECIFICATIONS

Step Lights



LED BOARD/ELECTRICAL:

1w, 2w or 4w LED module featuring Nichia 757g LEDs (3 MacAdam Ellipse binning)

DELIVERED LUMENS:

100 lm 1w; 160 lm 2w; 360 lm 4w

CCT OPTIONS:

Optisolis 98+ CRI
2700°K, 3000°K, 3500°K, 4000°K, 5000°K

High CRI 95+

2000°K, 2200°K, 2500°K, 4500°K

POWER SUPPLY:

Integral, non-dimming, universal LED Driver with 120v - 277v, 50/60Hz input

MATERIAL/COLORS:

Corian in Designer White (WH), Deep Nocturne (BL), Bronzite (BZ) and Stratus (GY)

MOUNTING:

Surface or Flush Mounting.
Single-gang junction box (by others) mounted vertically (LV style) or horizontally (all other styles). For surface mounting. Optional Rough-in-Kit for flush mounting.

LISTINGS & TESTS:

Dry / Damp rated; UL; Title 24 JA8-2016

WARRANTY & LIFE:

5 year limited warranty; 50,000 HR lifetime

CAUTION:

Fixtures must be installed and grounded in accordance with national, state and/or local electrical codes. Failure to do so may result in personal injury.

OPTIONS:

Rough-in-Kit for flush mounting.
LH: PN 301201
LV: PN 301202
LS: PN 301203
LR: PN 301204

VISIT VLTcorp.com FOR CURRENT CUT SHEETS, APPLICATION PHOTOS, AND MOST RECENT IES FILES. VLT RESERVES THE RIGHT TO CHANGE SPECIFICATIONS WITHOUT NOTICE. VISIT VLTcorp.com FOR CURRENT CUT SHEETS, APPLICATION PHOTOS, AND MOST RECENT IES FILES