

Fiber Optic Lighting

FIBER OPTIC ILLUMINATOR - 20 WATT LED OUTDOOR

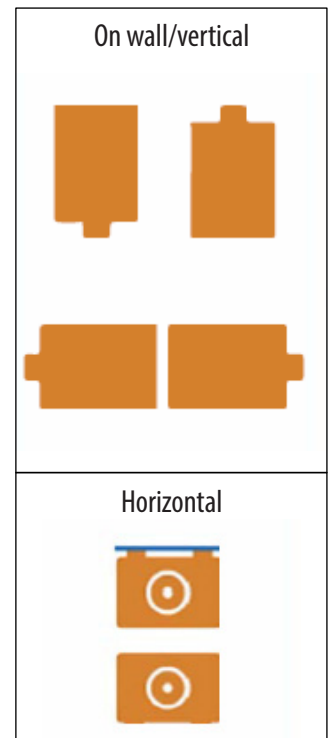


Features:

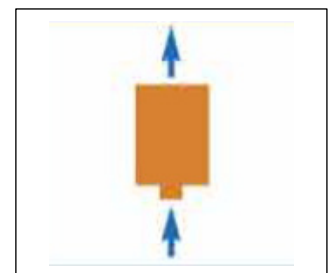
- Compact size ideal for display cases
- Extremely quiet fan
- Full range dimming 0-10v

PORT OPTIONS	Available with 28mm port to hold up to 800 - 0.75mm fibers at standard brightness, or with 9mm port to hold up to 140 - 0.75mm fibers at standard brightness.
CONTROL FEATURES	Available in White Light or with optional Permanent Color. Dimmable. Continuous ColorWheel, TwinkleWheel (optional).
LAMP	Lumileds LUXEONS S LED
ELECTRICAL	Electrical transformer; 120-240v/50-60Hz; 6' attached power cord with connector; 0.6amps. continuous load at 120 volts
ENCLOSURE	IP20 rating for dry or damp operating environment; anodized aluminum housing; Synjet forced-air cooled; 18 dB(A) quiet fan; weight 0.9 kilograms (2 lbs.)
FIBER CAPACITY	28mm port: 1000 - 0.75mm; 9mm port: 140 - 0.75mm; accepts stranded PMMA/glass or large core fiber
HARNESS	28mm, 9mm
MOUNTING AND VENTILATION	3" all sides recommended clearance; -20°C min/+40°C
LISTINGS	ETL, CE, and cUL listed
DIMMING	0-10v

MOUNTING GUIDE

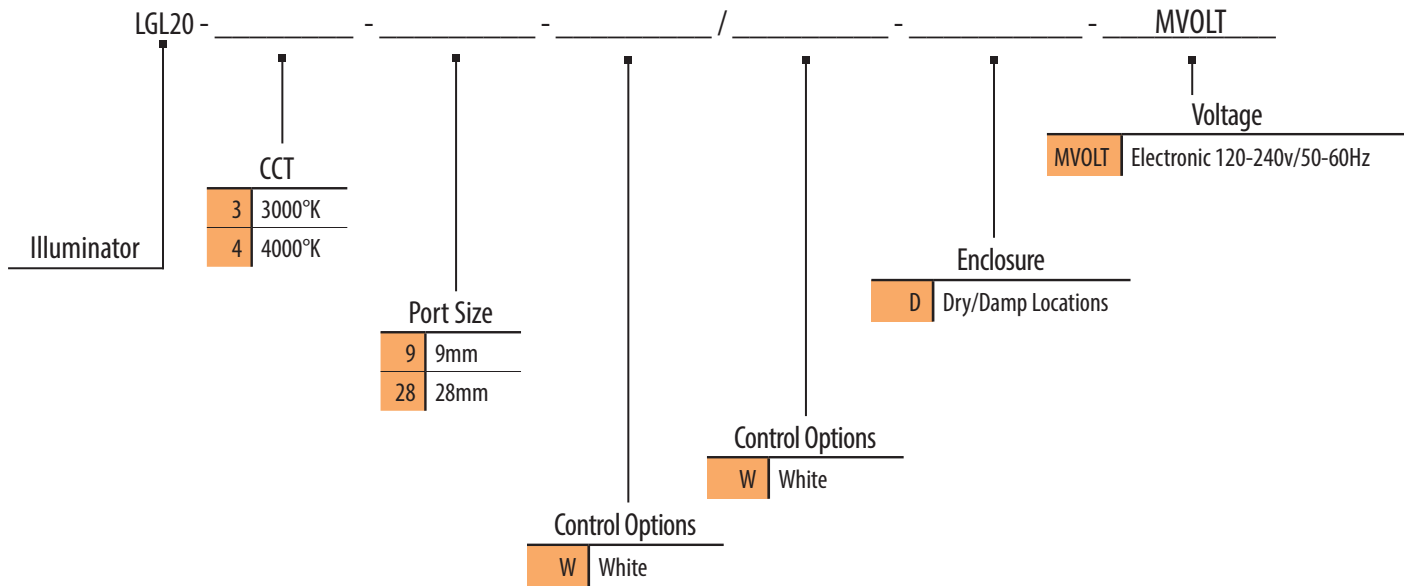
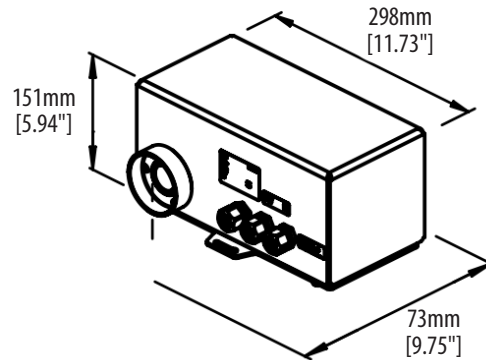


AIRFLOW GUIDE



Fiber Optic Lighting

FIBER OPTIC ILLUMINATOR - 20 WATT LED OUTDOOR



MODIFIERS & ACCESSORIES

4900 0115 Permanent Filter Bracket Only
 PC Permanent Color Filter (refer to Illuminator Accessory Sheet)
 CW/E Extended Palette Color Wheel (refer to Permanent Color Sheet)
 CW/C Custom Color Wheel (specify any colors, may require long lead time)

TW/B Twinkle Wheel with Bars (refer to Illuminator Accessory Sheet)
 TW/SS Twinkle Wheel for Shooting Star (refer to Illuminator Accessory Sheet)
 TW/CW Twinkle/Color Wheel (refer to Custom Color Sheet)
 TW/CD Twinkle/Color Wheel w/Crushed Dichroics (refer to Custom Color Sheet)

TWA Twinkle Wheel Adapter Kit (refer to Illuminator Accessory Sheet)
 CWA Color Wheel Adapter Kit (refer to Illuminator Accessory Sheet)

