

ELEGANCE MINI - PUCK FUNDAMENTALS

All LEDs binned to within a 2 MacAdam ellipse CCT tolerance of $\pm 60^\circ$.

	1250 / 700mA Driver	1250H / 700mA Driver
LUMEN OUTPUT	127 lm	123 lm
FIXTURE WATTAGE	2.4	2.4
CRI	87	95+
CCT OPTIONS	2700K, 3000K, 3500K, 4000K 4500K	2700K, 3000K, 3500K, 4000K
APPLIED LED	Nichia 219C	Nichia 219C
LED EFFICACY*	94 lm/w	91 lm/w
FIXTURE EFFICACY* not including driver losses	53 lm/w	51 lm/w



- 2.5 watt
- Recessed Accent Fixture
- Flanged or Trimless
- Easy Install with Spring Clip

Elegance Mini-Pucks provide bright, focused illumination for accent, niche or display applications. Mini-Puck features Nichia LEDs with up to 95+ CRI.

Available in Trimless or Flanged Style. Clever Reflector Accessories pop in and out with a simple tool, offering quick changes between Narrow, Medium or Wide optics. In both versions, optics fully recess within fixture.

Flanged version available in Silver, Black, Bronze, White or Custom finishes with Silver Reflector. Trimless version Black only with Silver Reflector.

Spring clips provide easy recess installation into millwork, drywall or acoustic tile mounting surfaces. Constant current, dimmable via 0-10v dimming.

All photometrics based on 3500K CCT using a wide lens

LENSING	Narrow, Medium or Wide Individual Reflectors, Interchangeable in Field
FINISH	Flanged: Silver, Black, Bronze, White & Custom Finishes on request Trimless: Black Only
ELECTRICAL	Driver Type: Constant Current, 700mA or 1050mA, Class 2 UL Listed Input Voltage: 3v Dimming: 0-10 v, DMX, DALI (See Driver Cutsheet) Feed Wire: 96" [2.44m] of 20 AWG Wire [1.02mm ²], Male Connector Operating Ambient Temperature: -22° to 95° F [-30° to 40° C] Humidity: 90% RH Non-Condensing
LIFE & WARRANTY	50,000 HR lifetime ($T_a = -25^\circ\text{C}$ to 40°C ; T_c max 75°C); 5 year limited warranty
MOUNTING	Tension Mount with Spring Trimless Style Cutout Dimension: 7/8" [22.22mm] Flanged Style Cutout Dimension: 15/16" [23.81mm]
LISTINGS & TESTS	cULus (2108, 8750); CE RoHS Compliant (if specified); LM79, LM80; IP20, Dry Location Only The EU's Restriction of Hazardous Substances Directive (RoHS) restricts the use of six hazardous substances* in electrical and electronic equipment (* Lead (Pb), Mercury, Cadmium, Hexavalent chromium, Polybrominated biphenyls and Polybrominated diphenyl ether (PBDE)).



MADE IN USA 

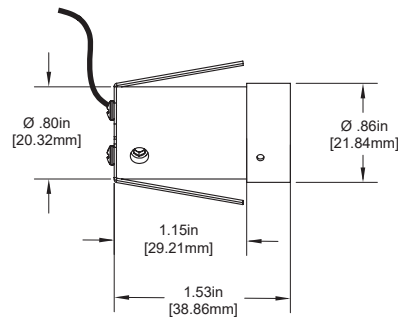
Beam	Lumens	Footcandles @ 12"
Narrow	115 lm	435 fc
Medium	127 lm	300 fc
Wide	86 lm	139 fc

CCT	2700K	3000K	3500K	4000K	4500K
LIGHT OUTPUT CONVERSION	0.88	1.0	1.0	1.08	1.08

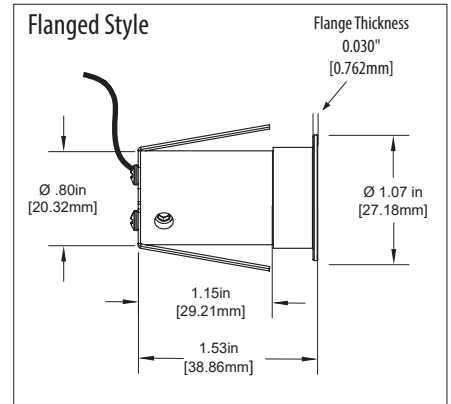
VLT reserves the right to change specifications without notice. Please visit www.vltpcorp.com for current cut sheets.



Trimless Style



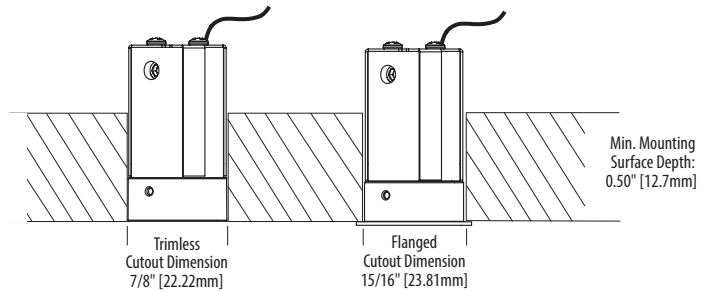
Flanged Style



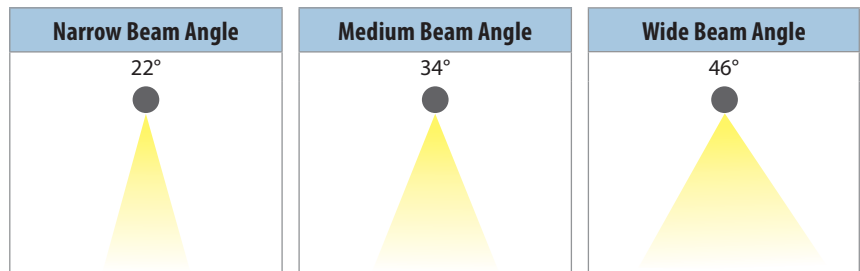
ELEGANCE MINI-PUCK

IP20 | Compact recessed accent fixture, fully-recessed trimless style or low-profile flanged style. Features Constant Current Nichia LEDs with either 87 or 95+ CRI in various color temperatures. All LEDs include $\pm 60^\circ$ Micro Binning. For display or accent applications; spring clip provides easy installation into millwork, drywall or acoustic tile mounting surfaces. Available with interchangeable Narrow, Medium or Wide optic reflectors. Flanged version available in Silver, Black, Bronze, White or Custom Finishes with Silver Reflector. Trimless version Black only with Silver Reflector.

Photometrics vary based on CCT and lensing.



See Elegance Mini Puck & Cylinder Accessories page for more information.



ELL-

Style		LED		CCT		Finish		Lens Options		Listings	
MPF	Flanged	1250	87 CRI	27	2700°K	AL	Silver	N	Narrow	UL	UL Listed
MPTL	Trimless	1250H	95+ CRI ¹	30	3000°K	BL	Black ²	M	Medium	CE	CE Marked (RoHS)
			Standard	35	3500°K	BZ	Bronze	W	Wide		
			HI CRI	40	4000°K	WH	White				
				45	4500°K	C	Custom				

¹ Not Available in 4500°K CCT

² Trimless Fixture in Black Only

