

## ELEGANCE LONG FUNDAMENTALS

All LEDs binned to within a 2 MacAdam ellipse CCT tolerance of ±60°.

	4224C/350mA Driver	4224C/500mA Driver	4224H/350mA Driver	4224H/500mA Driver
<b>LUMEN OUTPUT</b>	366 lm	485 lm	355 lm	470 lm
<b>FIXTURE WATTAGE</b>	4.2w	6.2w	4.2w	6.2w
<b>CRI</b>	87	87	95+	95+
<b>CCT OPTIONS</b>	2700K, 3000K, 3500K, 4000K, 4500K		2700K, 3000K, 3500K, 4000K	
<b>APPLIED LED</b>	Nichia 219C	Nichia 219C	Nichia 219C	Nichia 219C
<b>LED EFFICACY*</b>	94 lm/w	94 lm/w	91 lm/w	91 lm/w
<b>FIXTURE EFFICACY* not including driver losses</b>	87 lm/w	78 lm/w	85 lm/w	76 lm/w

Beam	Lumens @350mA	Footcandles @ 12"	Lumens @500mA	Footcandles @ 12"
15°	366 lm	1440 fc	485	1876 fc
30°	356 lm	1110 fc	463	1365 fc
60°	296 lm	557 fc	392	732 fc
30° x 60°	347 lm	1057 fc	463	1354 fc

All photometrics based on 3500K CCT

<b>LENSING</b>	15°, 30°, 60° and 30° x 60°
<b>FINISH</b>	Silver, Black, Custom finishes on request
<b>DIMENSIONS</b>	2.20" x 0.98" x 0.47" [56.0mm x 25.0mm x 12.0mm]
<b>ELECTRICAL</b>	<p><b>Driver Type:</b> Constant Current, 350mA or 500mA, Class 2 UL Listed</p> <p><b>Input Voltage:</b> 12.7v</p> <p><b>Dimming:</b> 0-10 v, Dali, DMX (See Driver Cutsheet)</p> <p><b>Feed Wire:</b> 96" [2.44m] of 20 AWG Wire [1.02mm<sup>2</sup>], Male Connector</p> <p><b>Operating Ambient Temperature:</b> -22° to 104° F [-30° to 40° C]</p>
<b>LIFE &amp; WARRANTY</b>	50,000 HR lifetime (T <sub>90</sub> = -25°C to 35°C; T <sub>c</sub> max 75°C); 5 year limited warranty
<b>MOUNTING</b>	Multiple options including stems, bushings and surface mount
<b>LISTINGS &amp; TESTS</b>	<p>UL<sub>us</sub> (2108, 8750); CE RoHS Compliant (if specified); LM79, LM80; IP20, Dry Location Only</p> <p>The EU's Restriction of Hazardous Substances Directive (RoHS) restricts the use of six hazardous substances* in electrical and electronic equipment (* Lead (Pb), Mercury, Cadmium, Hexavalent chromium, Polybrominated biphenyls and Polybrominated diphenyl ether (PBDE)).</p>



The EssentialLEDs® **Elegance Long** fixture offers a larger fixture body, allowing Elegance Long to run at 350mA or 500mA with light output up to 485 lumens. The high light output, low energy use, and long lamp life make Elegance Long an ideal fixture for fully illuminating small displays, or adding focused high-lights to larger casework. The adjustable head has a tilt range of +/- 90° to accommodate changing display needs.

Elegance Long offers 15°, 30°, 60° and 30° x 60° lensing options, with the 30 x 60 lens creating an oval light distribution that is ideal for illuminating elongated merchandise such as handbags and jewelry. Stem Mount (ST1 or ST2) mounts directly into millwork, while Surface Mount (SU) and Bushing Mount (BU) options include finished look of a fixture base.

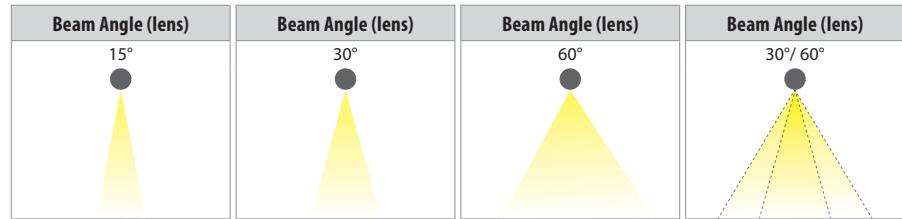
Elegance Long fixtures are dimmable and available in five color temperatures, with a CRI up to 95+; LED component can be replaced in the field by trained technician.

Visit the VLT website for application photos and most recent information.

CCT	2700K	3000K	3500K	4000K	4500K
<b>LIGHT OUTPUT CONVERSION</b>	0.88	1.0	1.0	1.08	1.08

VLT reserves the right to change specifications without notice. Please visit [www.vltcorp.com](http://www.vltcorp.com) for current cut sheets.

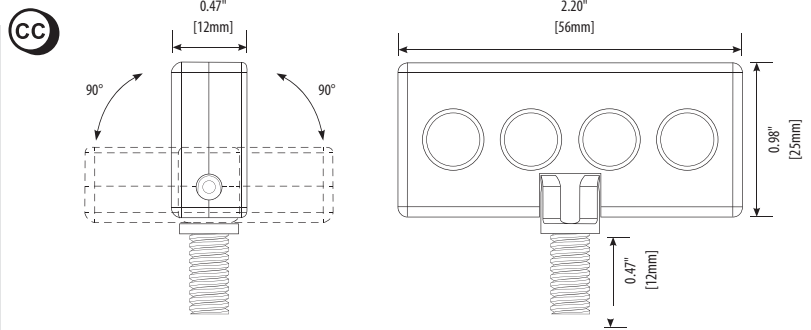




ELEGANCE LONG

IP20 | Compact rectangular fixture featuring specialized Constant Current LED board and lensing for display applications. Includes Nichia LEDs with either 87 or 95+ CRI in various color temperatures. All LEDs include ±60K Micro Binning. Fixture head tilts +/- 90°, with 15°, 30°, 60° or 30°x60° lens options. Silver, Black or Custom Finishes. Multiple mounting options available.

Photometrics vary based on CCT and CRI; see photometrics page for conversion.

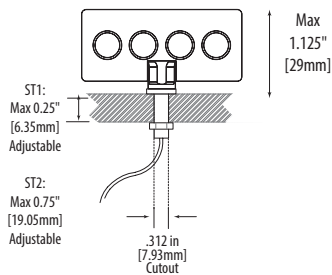


ELL- EGL -

LED		CCT		Finish		Lens Options		Wire Exit		Listings & Mounting Options	
4224C	87 CRI	27	2700°K	AL	Silver	15	15° Lens	WE1	Default	UL	UL Listed
4224H	95+ CRI <sup>1</sup>	30	3000°K	BL	Black	30	30° Lens			CE	CE Marked (RoHS)
		35	3500°K	C	Custom	60	60° Lens			ST1	Stem Mount, 0.25" [6.35mm] max, Adjustable
		40	4000°K			3060	30° x 60°			ST2	Stem Mount, 0.75" [19.05mm] max, Adjustable
		45	4500°K							BU	Bushing Mount
										SU	Surface Mount

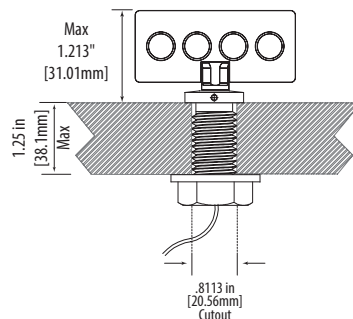
MOUNTING OPTIONS

STEM MOUNT (ST1, ST2)



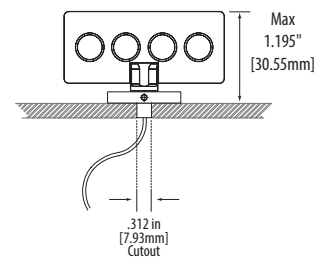
Stem Mount provides most minimal mounting option; stem attaches with nut on rear side of mounting surface; no rotation. Choose ST1 or ST2 based on the thickness of mounting surface.  
 Max thickness for ST1: 0.25" [6.35mm]  
 Max thickness for ST2: 0.75" [19.05mm]

BUSHING MOUNT (BU)



Bushing Mount provides the finished look of a ferrule at fixture base, allows 360° rotation of fixture head; position can be fixed with set screw. Bushing is attached with nut on rear side of mounting surface. Maximum mounting surface thickness 1.25" [38.1mm].

SURFACE MOUNT (SU)



Surface Mount option allows installation of fixture with screws to top surface, no rear access necessary. Surface Mount allows 360° rotation of fixture head; position can be fixed with set screw.