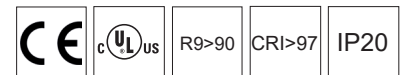
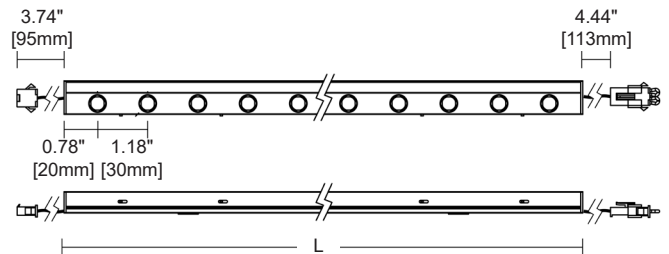




# Elegance LightRun Spot



## Description

Elegance LightRun Spot is an innovative, multi-functional linear lighting solution. This small and discreet luminaire (2.75"L) is ideal for under-shelf applications in museums, retail and/ or hospitality. It combines high performance, miniature LED spots together with uniform diffused ambient lighting.

The LED spots and diffused light stripe can be controlled separately, enabling the user to select and switch between a spot light effect or a diffused lighting effect, or a combination of both. Requires separate drivers (Patent Pending). Each 2 LEDs group can be controlled separately by an onboard switch. Different CCT options are available. Specifier can select a different CCT for LED spots and for diffused stripe light. Length is customizable.

## Body

Surface mounted LED system in extruded aluminum. Available in different length configurations starting from 2.75" with in crement of 2.36". Section 38.18"

## Mounting

- Additional mounting options include:
- Integrated magnets for easy installation
  - L brackets
  - U mounting clips

## Finish

Anodized Black or Silver finish.

## Accessories

Mounting accessories included.  
Extension cable to be ordered separately.

## LED Sources

Combination of 2 types of LEDs

	Spot Light	Wall Wash
<b>Applied LED</b>	High Power LED	SMD LED
<b>SDCM</b>	3-Step MacAdam	3-Step MacAdam
<b>CRI</b>	97, R9>90	97, R9>90
<b>Watts</b>	7W/Ft	7W/Ft
<b>Lumens</b>	950Lm/Ft	975Lm/Ft
<b>Efficacy</b>	135Lm/W	139Lm/W
<b>CCT</b>	2700K, 3000K, 3500K, 4000K	

- Other CRI and CCT options available on request. A combination of 2 CCTs is available.

## Optics

**Spot Light - Fixed Lens:** Beam Angle: 21° / 29° / elliptical (22° x 47°)

**Wall Wash - Opal diffuser:** Beam Angle: Extra wide

## Driver

**Spot Light:** 500mA Constant Current Remote Driver (order separately)

**Wall Wash:** 500mA Constant Current Remote Driver (order separately)

## Applications

Miniature linear light. Delivers two types of light effects - a homogenous, diffused light effect together with spot light. An ideal solution for display showcase, under-shelf and under cabinet illumination. Application areas: Retail, cabinet displays, showcases, jewelry displays, residential, restaurants, museums.



Product Code	Series	CCT (Spot)	Beam Angle (Spot)	CCT (Wall Wash)	Finish	Length	Listing
ELL Elegance Series	LRS LightRun Spot	SM27	2700K	21	21° Narrow Beam	LM27	2700K
		SM30	3000K	29	29° Wide Flood	LM30	3000K
		SM35	3500K	2247	22°x47° Elliptical	LM35	3500K
		SM40	4000K			LM40	4000K



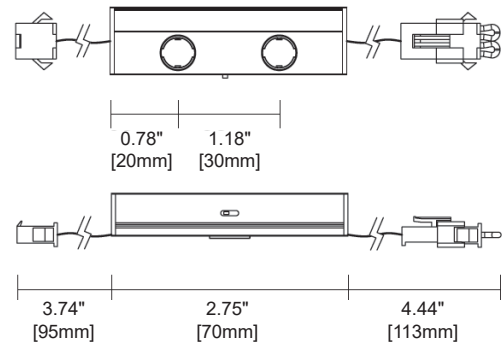
# Elegance LightRun Spot



## Fixture Length & Wattage Table

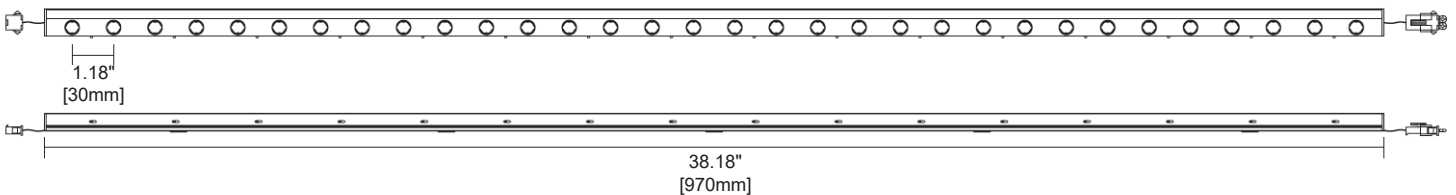
Length Code	Length (mm)	Length (Inches)	No. of LEDs		LED Power		Nominal Lumen	
			Spot	Wash	Spot	Wash	Spot	Wash
0070	70	2.75	2	13	1.4W	1.4W	190Lm	195Lm
0130	130	5.11	4	26	2.8W	2.8W	380Lm	390Lm
0190	190	7.48	6	39	4.2W	4.2W	570Lm	585Lm
0250	250	9.84	8	52	5.6W	5.6W	760Lm	780Lm
0310	310	12.20	10	65	7W	7W	950Lm	975Lm
0370	370	14.56	12	78	8.4W	8.4W	1140Lm	1170Lm
0430	430	16.92	14	91	9.8W	9.8W	1330Lm	1365Lm
0490	490	19.29	16	104	11.2W	11.2W	1520Lm	1560Lm
0550	550	21.65	18	117	12.6W	12.6W	1710Lm	1755Lm
0610	610	24.01	20	130	14W	14W	1900Lm	1950Lm
0670	670	26.37	22	143	15.4W	15.4W	2090Lm	2145Lm
0730	730	28.74	24	156	16.8W	16.8W	2280Lm	2340Lm
0790	790	31.10	26	169	18.2W	18.2W	2470Lm	2535Lm
0850	850	33.46	28	182	19.6W	19.6W	2660Lm	2730Lm
0910	910	35.82	30	195	21W	21W	2850Lm	2925Lm
0970	970	38.18	32	208	22.4W	22.4W	3040Lm	3120Lm

Minimum Length = 2.75" (70mm)



Maximum Length = 38.18" (970mm)

Increment: 2.36" (60mm)

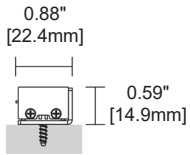




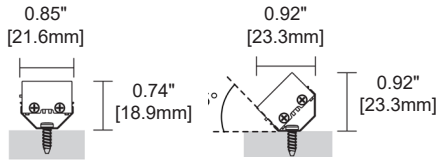
# Elegance LightRun Spot

## Mounting Options (Included)

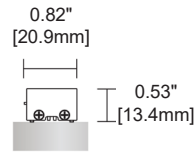
Fixture has integrated magnet to mount optional brackets (below)



With Magnet mounted L Bracket. Part No. 101166



With Magnet mounted U Clip. Part No. 101167



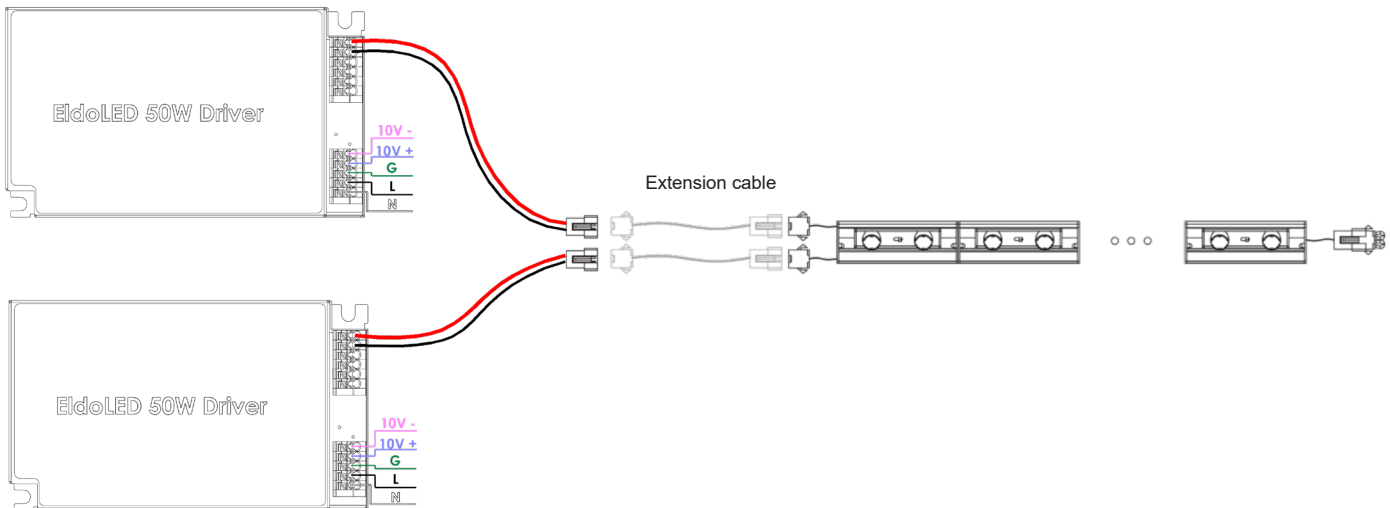
With Magnet mounted to Surface (no bracket)

## Accessories



Extension cable  
2ft. length. Part No. 300242

## Driver Options



\*\* 2E47D1 (0-10V)  
Vin = 90-305VAC 50/60Hz  
Iout = 2x500mA V=8-55V  
P = 50W Max. 2x25W  
Dimensions: 8.39"x3.62"x1.69"

\* 1 driver for 7.48" to 38.00" length