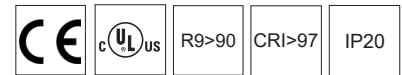




## Elegance LightRun Adjustable Spot



### Description

An innovative, multi-functional linear lighting solution. This small and discreet luminaire for under-shelf applications in museums, retail and/or hospitality, combines high performance, miniature Adjustable LED spots together with uniform diffused ambient lighting.

The LED spots and diffused light stripe can be controlled separately, enabling the user to select and switch between a spot light effect or a diffused lighting effect or a combination of both. Requires separate drivers (Patent Pending). Each module of LED spot can be switch on or off using the on board switch. Each 2 LED spots module can be adjusted individually for maximizing visual display of the showcased products. Different CCT options are available. Specifier can select a different CCT for LED spots and for diffused stripe light.

### Body

Surface mounted LED system in extruded aluminum. Available in different length configurations starting from 2.75" with increment of 2.36". Section 38.18"

### Mounting

Additional mounting options include:

- Integrated magnets for easy installation
- L brackets
- U mounting clips

### Finish

Anodized black or aluminum finish.

### Accessories

Mounting accessories included.

Extension cable to be ordered separately.



Product Code	Series	CCT (Spot)	Beam Angle (Spot)	CCT (Wall Wash)	Finish	Length	Listing
ELL Elegance Series	LRA LightRun Adjustable Spot	SM27 2700K	21 21° Narrow Beam	LM27 2700K	AL Silver	See Fixture Length & Wattage Table (Page 2)	UL UL Listed
		SM30 3000K	29 29° Wide Flood	LM30 3000K	BL Black		
		SM35 3500K	EL 22°x47° Elliptical	LM35 3500K			
		SM40 4000K		LM40 4000K			

### LED Sources

Combination of 2 types of LEDs

	Spot Light	Wall Wash
Applied LED	High Power LED	SMD LED
SDCM	3-Step MacAdam	3-Step MacAdam
CRI	97, R9>90	97, R9>90
Watts	5.6W/Ft	5.7W/Ft
Lumens	770Lm/Ft	810Lm/Ft
Efficacy	137Lm/W	142Lm/W
CCT	2700K, 3000K, 3500K, 4000K	

- Other CRI and CCT options available on request. A combination of 2 CCTs is available.

### Optics

Spot Light - Fixed Lens: Beam Angle: 21° / 29° / elliptical (22° x 47°)

Wall Wash - Opal diffuser: Beam Angle: Extra wide

### Driver

Spot Light: 500mA Constant Current Remote Driver (order separately)

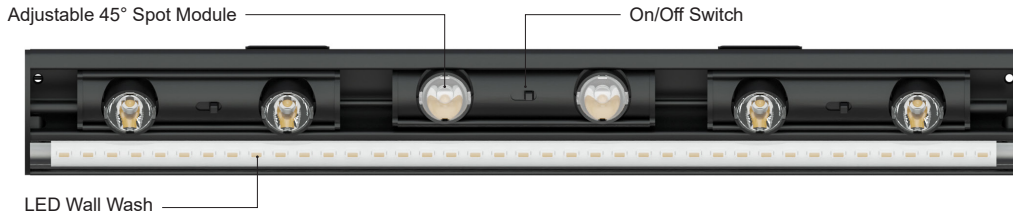
Wall Wash: 500mA Constant Current Remote Driver (order separately)

### Applications

Miniature linear light. Delivers two types of light effects - a homogenous, diffused light effect together with spot light. An ideal solution for display showcase, under-shelf and under cabinet illumination. Application areas: Retail, cabinet displays, showcases, jewelry displays, residential, restaurants, museums.



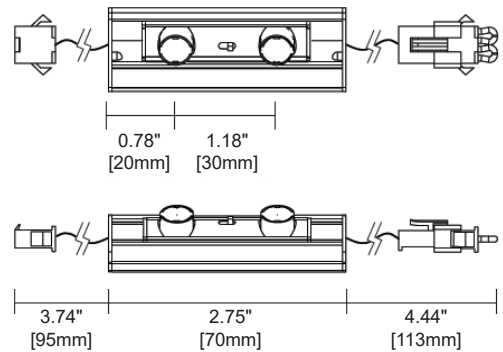
# Elegance LightRun Adjustable Spot



## Fixture Length & Wattage Table

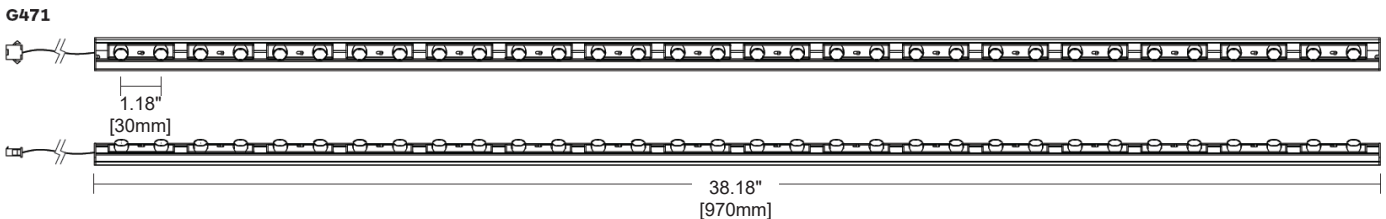
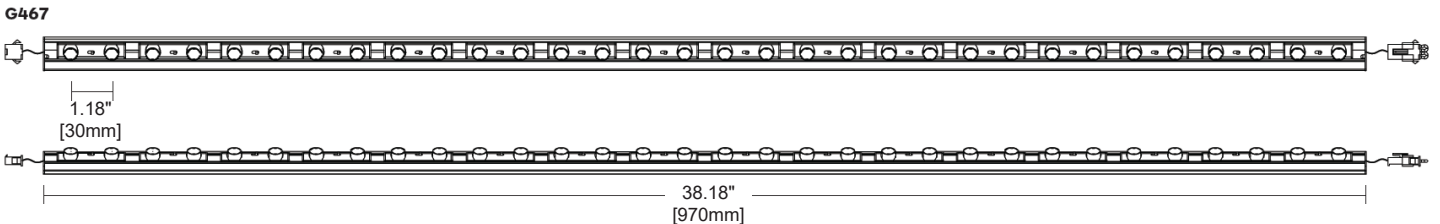
Length Code	Length (mm)	Length (Inches)	No. of LEDs		LED Power		Nominal Lumen	
			Spot	Wash	Spot	Wash	Spot	Wash
0070	70	2.75	2	13	1.12W	1.14W	154Lm	162Lm
0130	130	5.11	4	26	2.24W	2.28W	308Lm	324Lm
0190	190	7.48	6	39	3.36W	3.42W	462Lm	486Lm
0250	250	9.84	8	52	4.48W	4.56W	616Lm	648Lm
0310	310	12.20	10	65	5.6W	5.7W	770Lm	810Lm
0370	370	14.56	12	78	6.72W	6.84W	924Lm	972Lm
0430	430	16.92	14	91	7.84W	7.98W	1078Lm	1134Lm
0490	490	19.29	16	104	8.96W	9.12W	1232Lm	1296Lm
0550	550	21.65	18	117	10.08W	10.26W	1386Lm	1458Lm
0610	610	24.01	20	130	11.2W	11.4W	1540Lm	1620Lm
0670	670	26.37	22	143	12.32W	12.54W	1694Lm	1782Lm
0730	730	28.74	24	156	13.44W	13.68W	1848Lm	1944Lm
0790	790	31.10	26	169	14.56W	14.82W	2002Lm	2106Lm
0850	850	33.46	28	182	15.68W	15.96W	2156Lm	2268Lm
0910	910	35.82	30	195	16.8W	17.1W	2310Lm	2430Lm
0970	970	38.18	32	208	17.92W	18.24W	2464Lm	2592Lm

Minimum Length = 2.75" (70mm)



Maximum Length = 38.18" (970mm)

Increment: 2.36" (60mm)

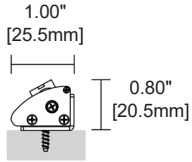




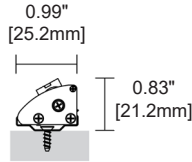
# Elegance LightRun Adjustable Spot

## Mounting Options

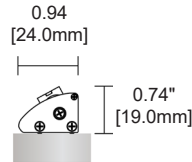
Fixture has integrated magnet to mount optional brackets (below)



With Magnet mounted L Bracket. Part No. 101163

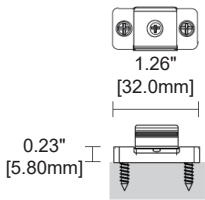


With Magnet mounted U Clip. Part No. 101164

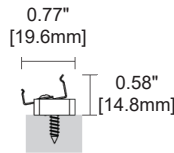
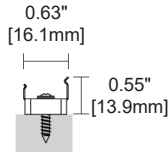


With Magnet mounted to Surface (no bracket)

## Accessories

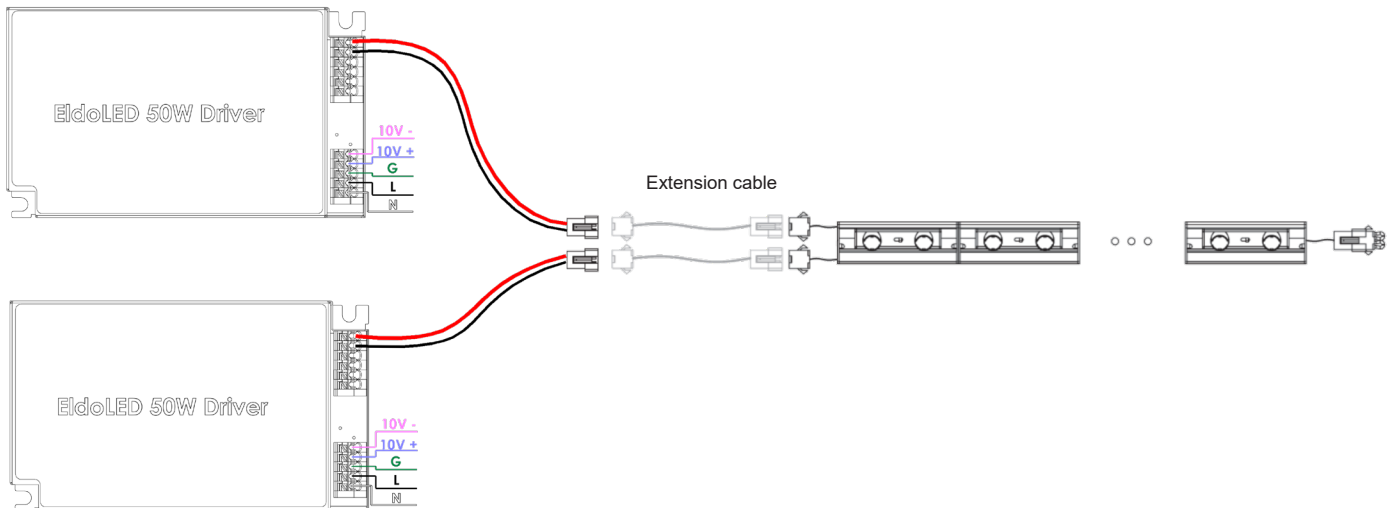


Adjustable Mounting Clip Part No. 101165



Extension cable  
2ft. length. Part No. 300242

## Driver Options



\*\* 2F66D1 (0-10V)

Vin = 90-305VAC 50/60Hz

Iout = 2x400mA V=8-55V

P = 50W Max. 2x25W.

Dimensions: 8.39"x3.62"x1.69"