

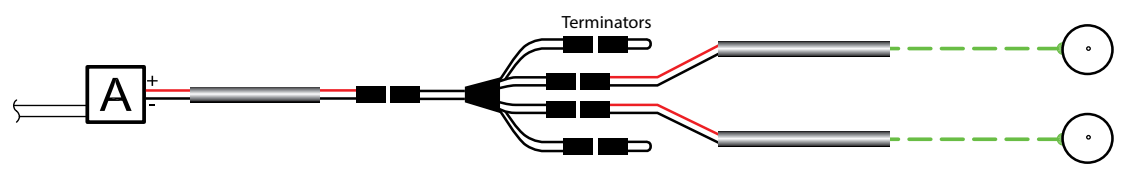


## WIRING SCHEMATICS FOR EssentialLEDs® ELEGANCE CYLINDER, MICRO PUCK & MINI PUCK

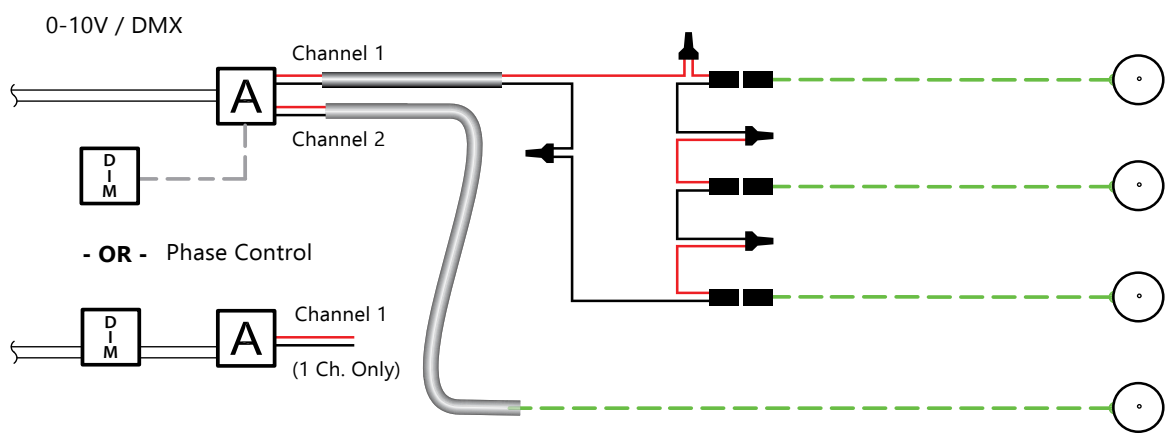
### NON-DIM (SHOWN IN SINGLE BRANCH CONFIGURATION)



### NON-DIM (SHOWN IN MULTIPLE BRANCH CONFIGURATION USING VLT SPLITTERS AND INTERCONNECT WIRES)



### DIMMABLE (SHOWN IN MULTIPLE BRANCH, MULTIPLE CHANNEL CONFIGURATION USING CONTRACTOR-SUPPLIED WIRING AND WIRE NUTS)



	Micro - Puck	Mini - Puck	Cylinder	Cylinder
<b>Driver Load</b>	350mA	700mA	700mA	1050mA
<b>30w eldoLED</b>	15 per ch, 15 total	10 per ch, 10 total	10 per ch, 10 total	7 per ch, 7 total
<b>50w eldoLED</b>	15 per ch, 36 total	15 per ch, 16 total	14 per ch, 18 total	11 per ch, 11 total
<b>100w eldoLED</b>	15 per ch, 60 total	15 per ch, 32 total	14 per ch, 36 total	14 per ch, 23 total

1. Figure for inches of linear fixture per driver was calculated using an 80% load capacity for each wattage driver; drivers can be loaded higher - contact factory for advice. Some drivers require 50% minimum load for proper dimming. 2. Dimming performance will be impacted by type of driver, type of dimming, driver load and dimming control equipment; results will vary based on components used. 3. To determine correct wire gauge for your application, please refer to the voltage drop calculator on the VLT website (see Downloads tab in Drivers & Controls section). **For constant voltage fixtures, VLT recommends a drop of no greater than one volt from driver to fixture.**

#### SYMBOLS

- Constant Current Driver
- Phase Control, 0-10v, DMX Dimmer
- 2 or 4 way Constant Current Splitter in-series connection
- Wire Nut
- Splitter Connections

#### WIRING

- Line Voltage Input
- Fixture Lead Wire 24v - (2) 18AWG
- Starter / Interconnect / Splitter
- 0-10V or DMX control wires
- Essential LEDs® Elegance Cylinder / Micro-Puck / Mini-Puck