

Elegance 12 Mini Track Fixture



Description

Elegance 12 is a low voltage miniature spot designed & developed for retail, showcase display, and museum lighting applications. Tiny yet mighty this ultra-miniature track spot is 0.49" x 0.49" [12.5mm x 12.5mm] in size and is compatible with anti-glare accessories such as snoot with a simple magnetic fixing mechanism.

Tiltable vertically 0-90° and rotatable horizontally 330°. Elegance 12 delivers high-intensity values and remains almost invisible even from a shorter distance. Available only for track installation.

Accessories

- Tiltable

All accessories are magnet-fixed, toolless, easily replaceable.

Finish

Powder coat in black, white or gold color.

LED sources

High power LED chip
LED Wattage : 1.0w
CRI : 97 (R9 > 90)

Optic

Lens Beam angle:

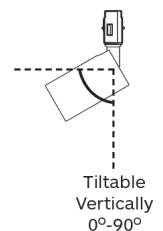
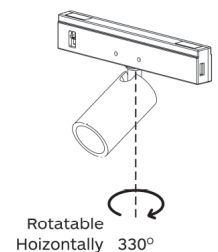
21°
29°
22° x 47°, elliptical

Driver

24V DC driver integrated into the track adapter. Constant Voltage 24 DC, remote power supply unit to be ordered separately.

Applications

A modern design consisting of the purpose to meet the highest requirements of the latest advanced lighting technology. Application areas: watch & jewelry showcases, retail, museums.

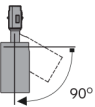
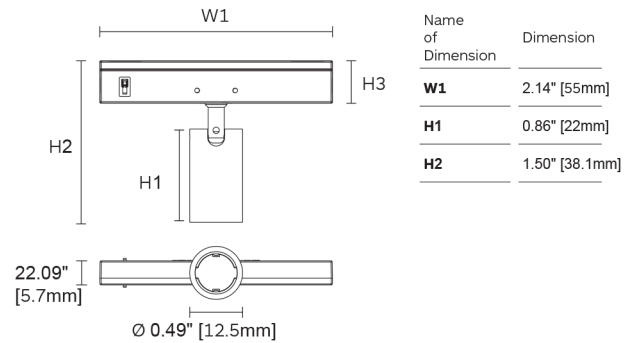
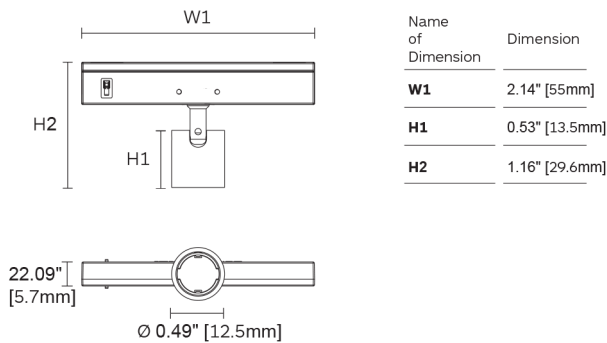


Elegance 12 Mini Track Fixture



Elegance 12

Elegance 12 Long

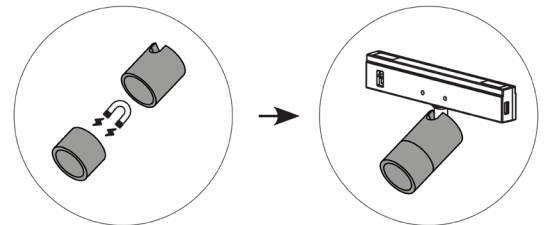


STYLE		LED		CCT		Finish		Lens Options		Listings	
E12	Short	B011H	100 lm, 1.0w, 97 CRI	27	2700°K	BL	Black	21	21° Lens	UL	UL Listed
E12L	Long			30	3000°K	WH	White	29	29° Lens	CE	CE Marked (RoHS)
				40	4000°K	GD	Gold	2247	22° x 47° Lens		

Optical Accessories

Product / Optical Accessories	Snoot
Elegance 12 Snoot	Black, White, Gold 100932 (Black) 101011 (White) 101012 (Gold)

Snoot installed with Magnetic fixing



Notes:

For other CCT options, please contact us.
For most updated product information, please go to our website.

EL: Elliptical Beam (22° x 47°).