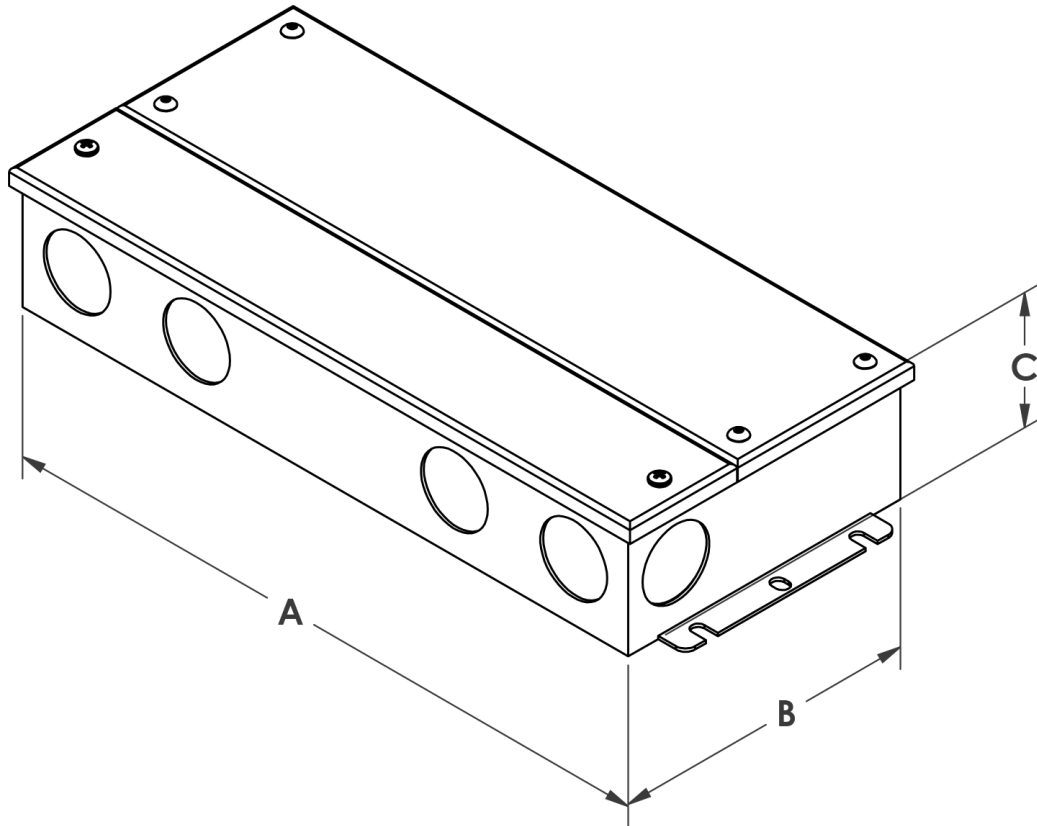


## VLT MULTI-DIM ELECTRONIC LINEAR DRIVER, 5N1 DIMMING - INSTALLATION

This power supply is to be installed in accordance with Article 450 of the National Electrical Code. The power supply must be installed in a well ventilated area and free from explosive gases and vapors. Proper operation requires the free flow of air. As this power supply is hardwired, it should only be installed by a qualified electrician. UL class 2 recognized.

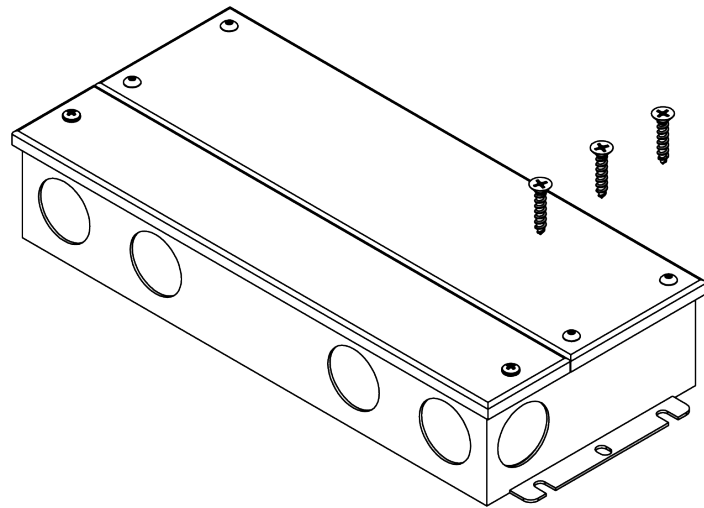
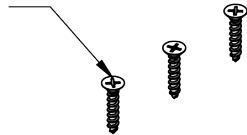


Models	HELD-5N1-30-24DC-UNV	HELD-5N1-60-24DC-UNV	HELD-5N1-96-24DC-UNV	HELD-5N1-96-24DC-UNV
MAX LOAD	30W	60W	96W	288W
A. LENGTH	6.5 in	7.4 in	8.66 in	11.85 in
B. WIDTH	3.72 in	3.72 in	3.72 in	4.32 in
C. DEPTH	1.57 in	1.57 in	1.57 in	1.81 in
NET WEIGHT	2.0 lbs	2.4 lbs	2.8 lbs	5.2 lbs

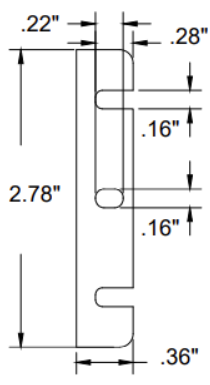
## VLT MULTI-DIM ELECTRONIC LINEAR DRIVER, 5N1 DIMMING - INSTALLATION

This power supply is to be installed in accordance with Article 450 of the National Electrical Code. The power supply must be installed in a well ventilated area and free from explosive gases and vapors. Proper operation requires the free flow of air. As this power supply is hardwired, it should only be installed by a qualified electrician. UL class 2 recognized.

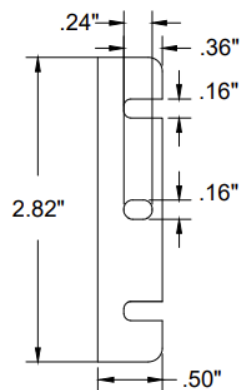
#6 x 0.75 in FLAT HEAD SCREWS



### Mounting Foot:



30/60/96W

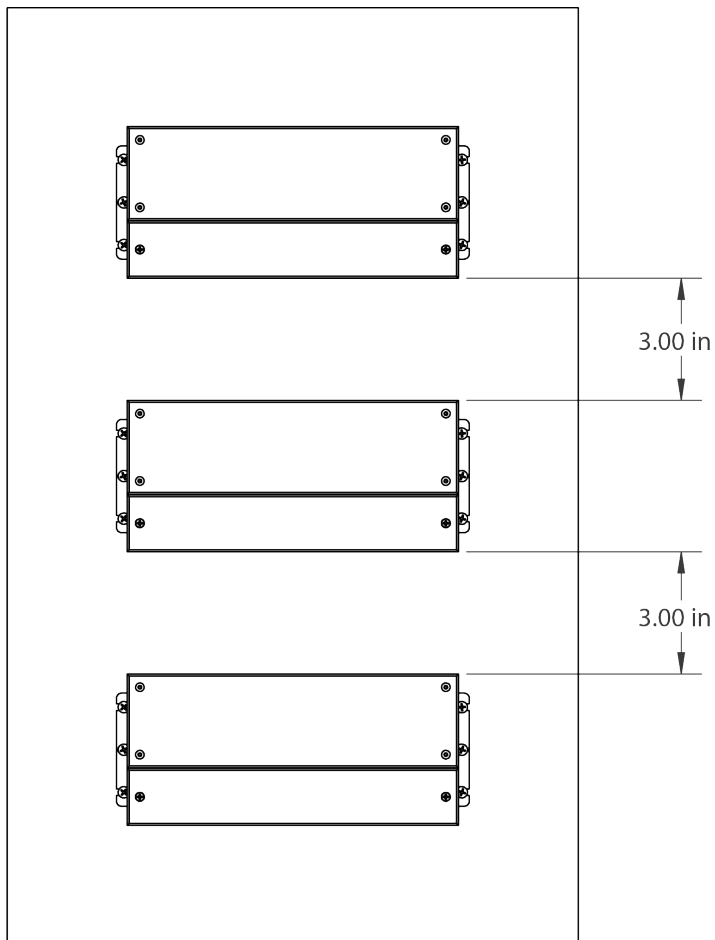


288W

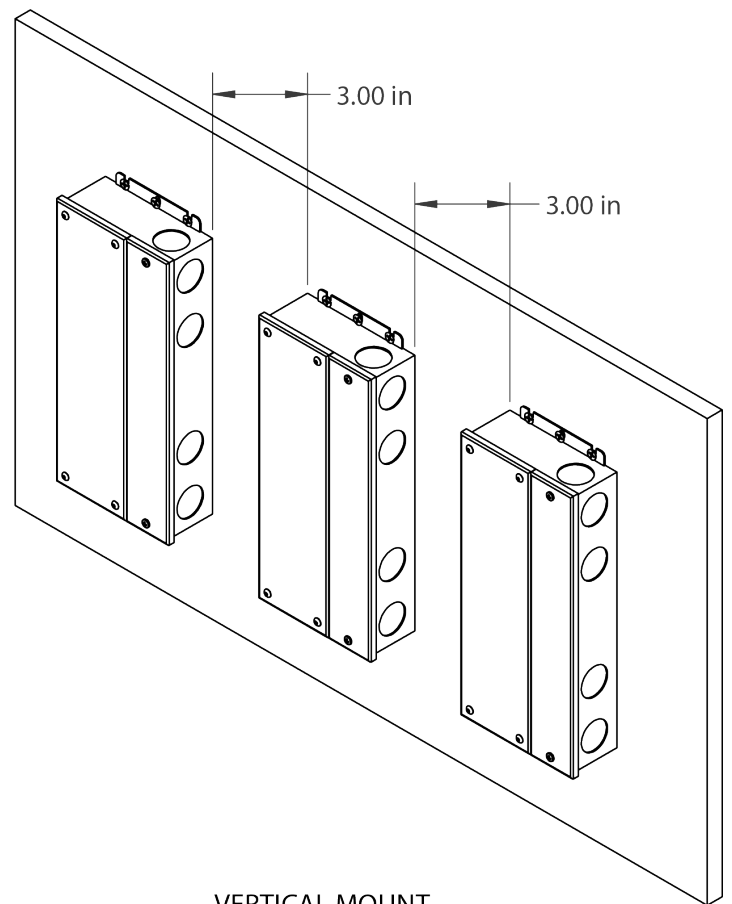
1. Use center hole or side slots to install driver housing via flat head screws.

## VLT MULTI-DIM ELECTRONIC LINEAR DRIVER, 5N1 DIMMING - INSTALLATION

This power supply is to be installed in accordance with Article 450 of the National Electrical Code. The power supply must be installed in a well ventilated area and free from explosive gases and vapors. Proper operation requires the free flow of air. As this power supply is hardwired, it should only be installed by a qualified electrician. UL class 2 recognized.



HORIZONTAL MOUNT



VERTICAL MOUNT

**2.** When installing multiple 5n1 Dimming Drivers, separate the enclosures by 3" of space from edge to edge. This prevents the rise of ambient temperatures between the power supplies.

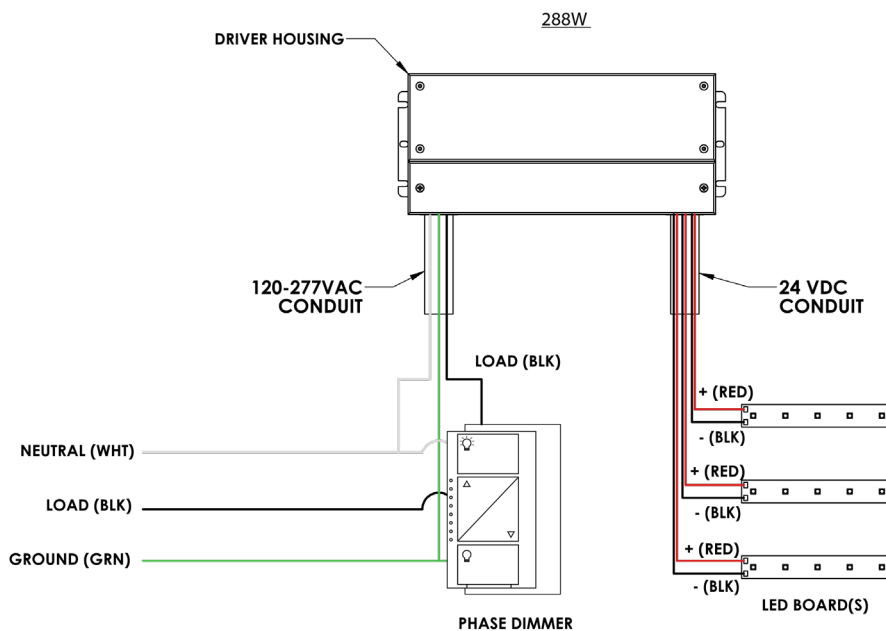
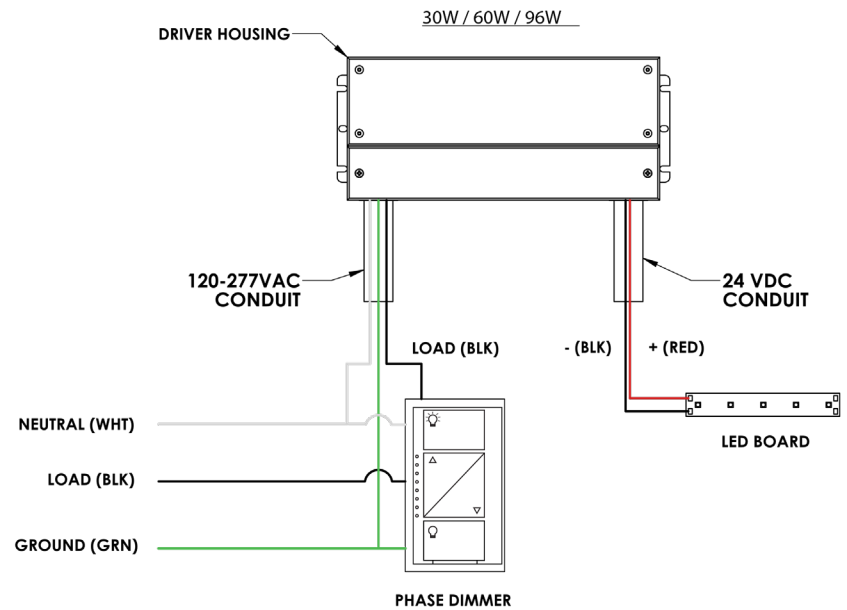
## VLT MULTI-DIM ELECTRONIC LINEAR DRIVER, 5N1 DIMMING - INSTALLATION

This power supply is to be installed in accordance with Article 450 of the National Electrical Code. The power supply must be installed in a well ventilated area and free from explosive gases and vapors. Proper operation requires the free flow of air. As this power supply is hardwired, it should only be installed by a qualified electrician. UL class 2 recognized.

### PHASE DIMMING

**3.** Install conduit lines from main power source to driver housing and from driver housing to LED fixture(s).

Based on driver size, follow the wiring schematic above for phase dimming application.



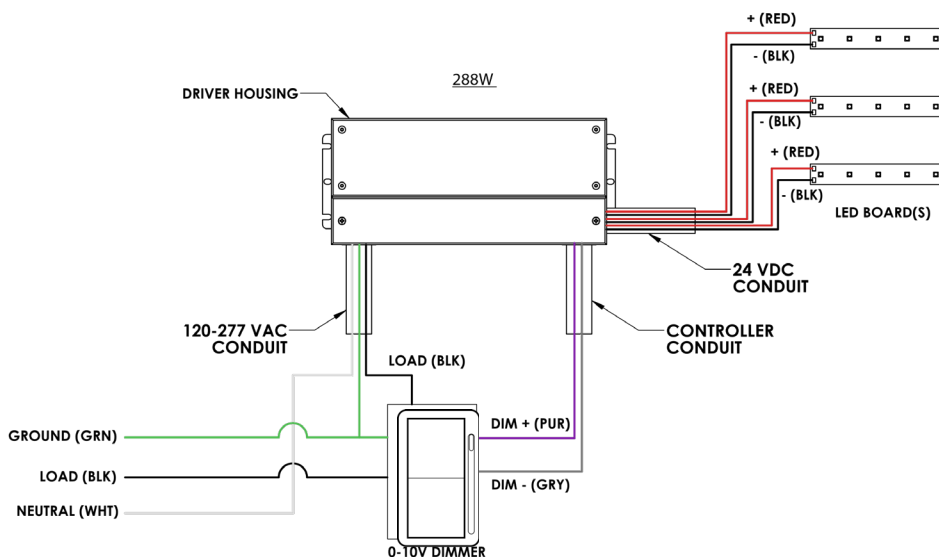
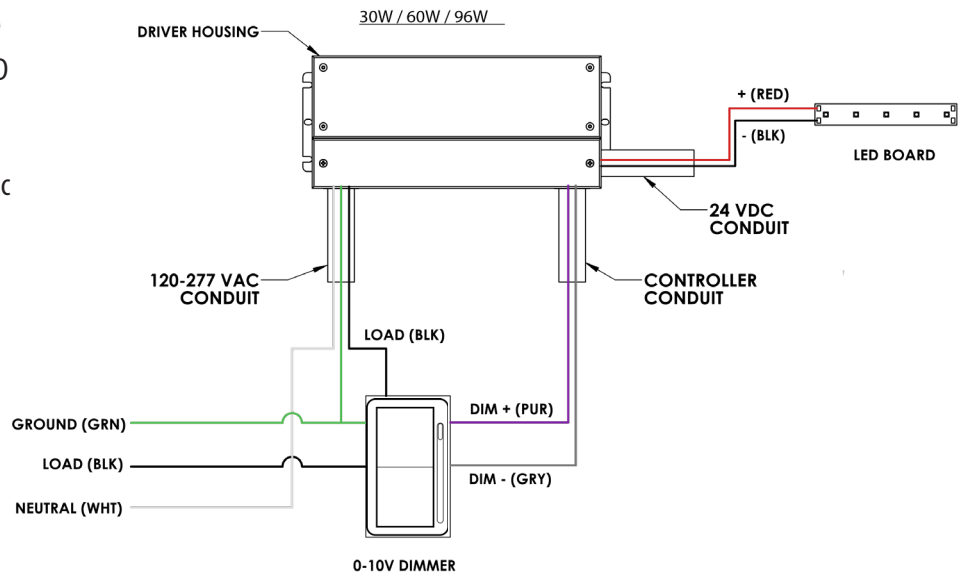
## VLT MULTI-DIM ELECTRONIC LINEAR DRIVER, 5N1 DIMMING - INSTALLATION

This power supply is to be installed in accordance with Article 450 of the National Electrical Code. The power supply must be installed in a well ventilated area and free from explosive gases and vapors. Proper operation requires the free flow of air. As this power supply is hardwired, it should only be installed by a qualified electrician. UL class 2 recognized.

### 0-10V DIMMING

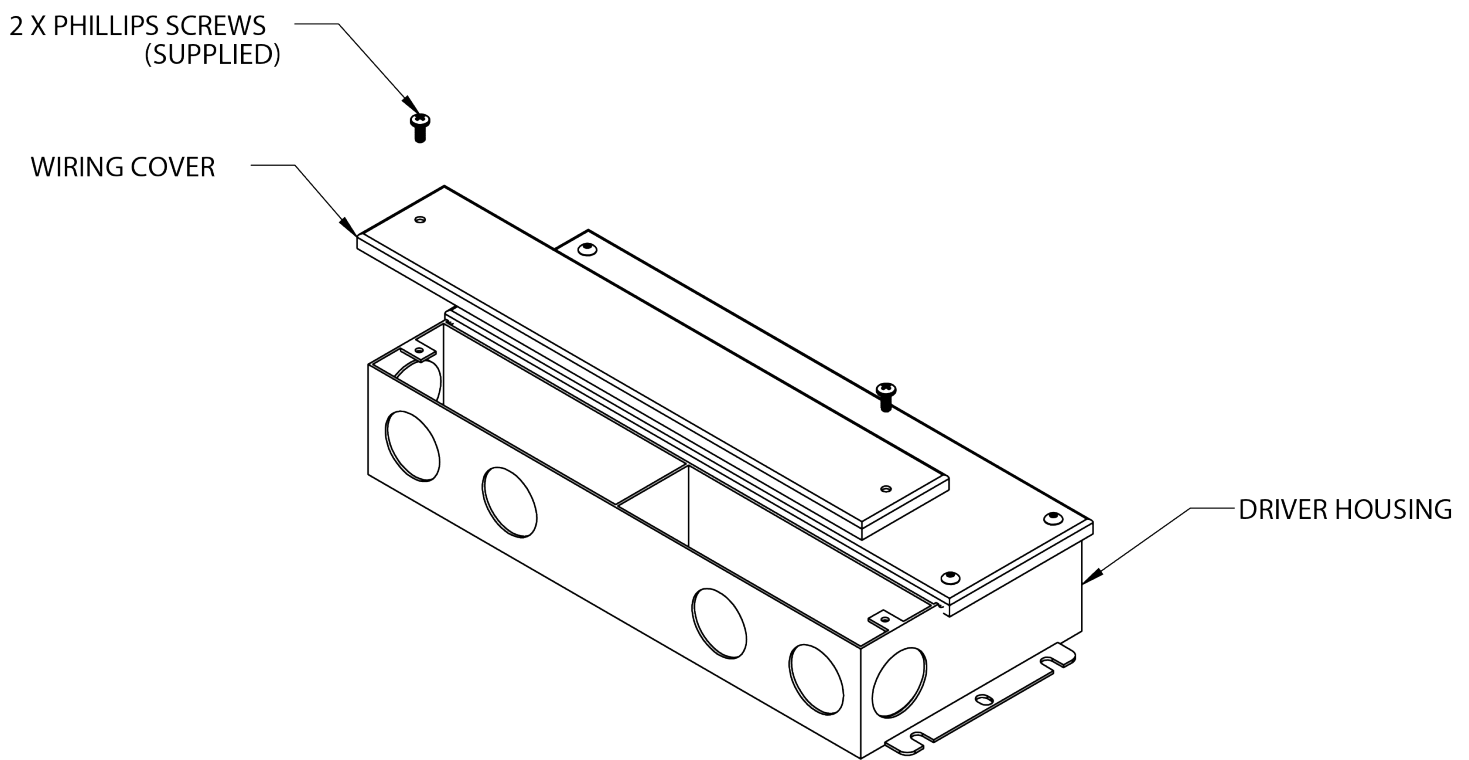
**3.** Install conduit lines from main power source to driver housing and from driver housing to LED fixture(s).

Based on driver size, follow the wiring schematic above for phase dimming application.



## VLT MULTI-DIM ELECTRONIC LINEAR DRIVER, 5N1 DIMMING - INSTALLATION

This power supply is to be installed in accordance with Article 450 of the National Electrical Code. The power supply must be installed in a well ventilated area and free from explosive gases and vapors. Proper operation requires the free flow of air. As this power supply is hardwired, it should only be installed by a qualified electrician. UL class 2 recognized.



**5.** Install wiring cover once driver(s), conduit, and wiring installations are completed.