

Fiber Optic Illuminator - 42 Watt LED

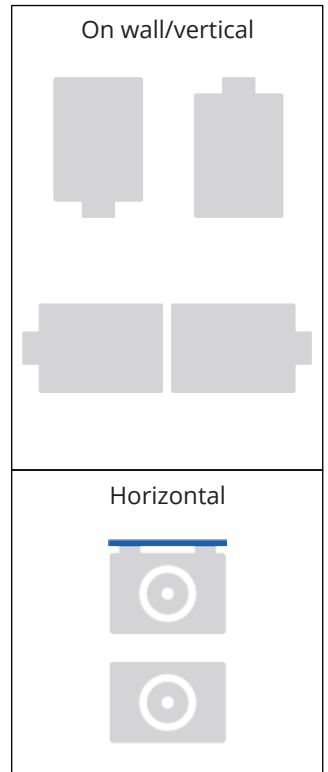


PORT OPTIONS	Available with 28mm port to hold up to 800 - 0.75mm fibers at standard brightness, or with 9mm port to hold up to 140 - 0.75mm fibers at standard brightness.
CONTROL FEATURES	Available in White Light or with optional Permanent Color. Dimmable. Continuous ColorWheel, TwinkleWheel (optional).
LAMP	Nichia or CREE LEDs
ELECTRICAL	Electrical transformer; 120-240v/50-60Hz; 6' attached power cord with connector; 0.6amps. continuous load at 120 volts
ENCLOSURE	IP20 rating for dry or damp operating environment; anodized aluminum housing; Synjet forced-air cooled; 7 dB(A) quiet fan; weight 1 kilograms (2.2 lbs.)
FIBER CAPACITY	28mm port: 1000 - 0.75mm; 9mm port: 140 - 0.75mm; accepts stranded PMMA or glass
HARNESS	28mm, 9mm
MOUNTING AND VENTILATION	3" all sides recommended clearance; -10°C min/+45°C
LISTINGS	ETL, CE, and cUL listed
DIMMING	0-10v

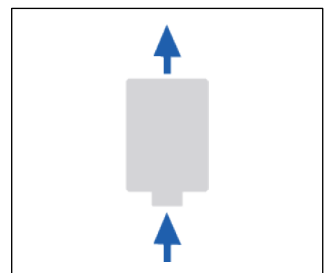
Features:

- Compact size ideal for display cases
- Extremely quiet fan
- Full range dimming 0-10v

MOUNTING GUIDE

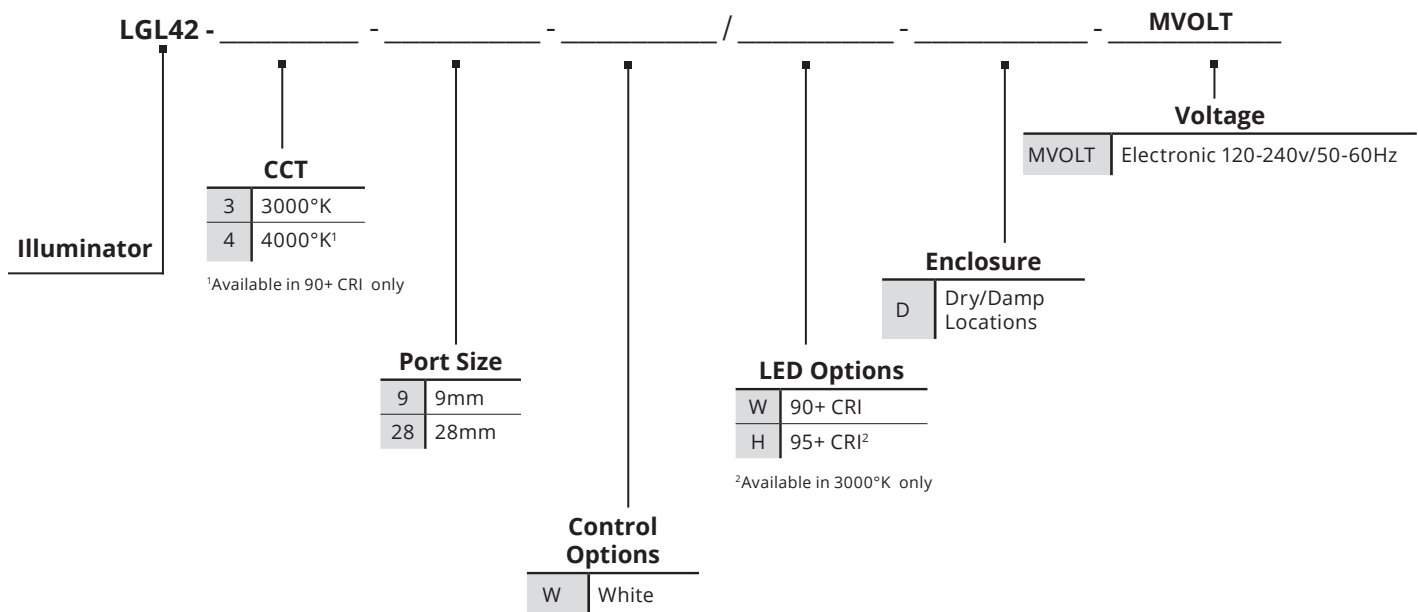
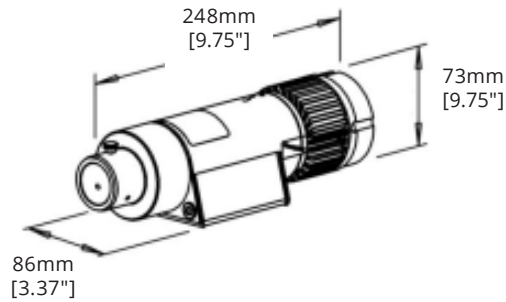


AIRFLOW GUIDE



FIBER OPTIC LIGHTING

Fiber Optic Illuminator - 42 Watt LED



Modifiers & Accessories

- 4900 0115 Permanent Filter Bracket Only
- PC Permanent Color Filter (refer to Illuminator Accessory Sheet)
- CW/E Extended Palette Color Wheel (refer to Permanent Color Sheet)
- CW/C Custom Color Wheel (specify any colors, may require long lead time)
- TW/B Twinkle Wheel with Bars (refer to Illuminator Accessory Sheet)
- TW/SS Twinkle Wheel for Shooting Star (refer to Illuminator Accessory Sheet)
- TW/CW Twinkle/Color Wheel (refer to Custom Color Sheet)
- TW/CD Twinkle/Color Wheel w/Crushed Dichroics (refer to Custom Color Sheet)

- TWA Twinkle Wheel Adapter Kit (refer to Illuminator Accessory Sheet)
- CWA Color Wheel Adapter Kit (refer to Illuminator Accessory Sheet)