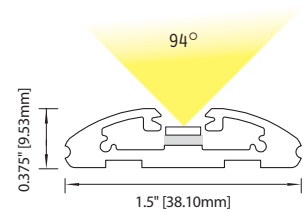


1EL DEMI-ELLIPSE EXTRUSION - LENSED

1EL: IP20 | Demi-Ellipse extrusion provides a low-profile fixture with recessed LED board to minimize side-view glare. Includes Nichia LEDs in choice of 11 LED Board options. See lumen outputs, CCTs, wattage and other variables on Linear Fundamentals.

Available in Silver, Black or Bronze Anodized, White Powder Coated, or Custom Finishes. Diffuser Film Lens. Photometrics vary based on CCT; see vltcorp.com for output conversion and other data specific to your fixture choices.



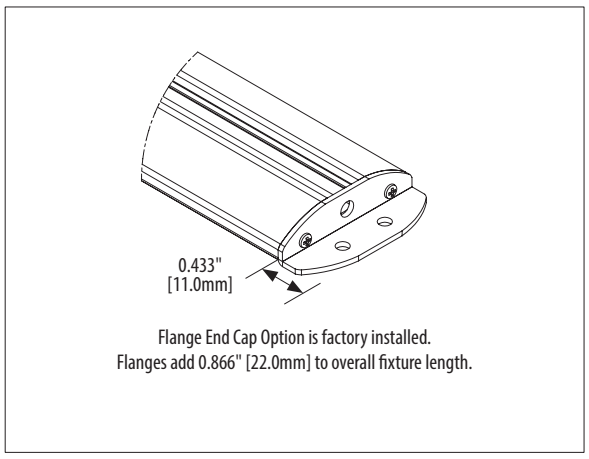
1EL - _____ - _____ - _____ - _____ - _____ - _____

LED		CCT		Finish		Lens Options		Wire Exit		Listings & Options	
1720	260 lm/ft, 1.8 w/ft, 83 CRI	20	2000°K	AL	Silver Anodized	DF	Diffuser Film	WE1	Default	UL	UL Listed
2730	397 lm/ft, 2.9 w/ft, 83 CRI	22	2200°K	BL	Black Anodized			C	Custom	CE	CE Marked (RoHS)
4740	528 lm/ft, 3.7 w/ft, 83 CRI	25	2500°K	BZ	Bronze Anodized					FEC	Flange End Cap
5760	665 lm/ft, 4.9w/ft, 83CRI	27	2700°K	WH	White Powder Coat						
6760	875 lm/ft, 6.5w/ft, 83 CRI	30	3000°K	C	Custom						
3720	223 lm/ft, 1.8 w/ft, 95 CRI	35	3500°K								
3740	430 lm/ft, 3.5 w/ft, 95 CRI	40	4000°K								
3760	609 lm/ft, 5.2 w/ft, 95 CRI	45	4500°K								
3790	621 lm/ft, 6.9 w/ft, 98 CRI ¹	50	5000°K								
5133	315 lm/ft, 3.4 w/ft, 87 CRI ¹										
5163	548 lm/ft, 6.6 w/ft, 87 CRI ¹										

Fixture Length
See Fixture Length and Wattage Table. Choose the correct Code number for the LED board and fixture length of your choice or specify Custom Length as follows: C (12.25") or C [311mm]

Standard HI CRI Ultra HI CRI Pitchless

¹ Not Available in 20K, 22K or 25K CCT



Fixture Accessories
ELL - AC - 1EL - MC



Fixed Metal Mounting Clip; Fixture snaps into clip. Countersunk screw-holes allow fixture to sit flush to mounting surface. Allow 1 clip per 12" (min. 2 per fixture). See Mounting Options.